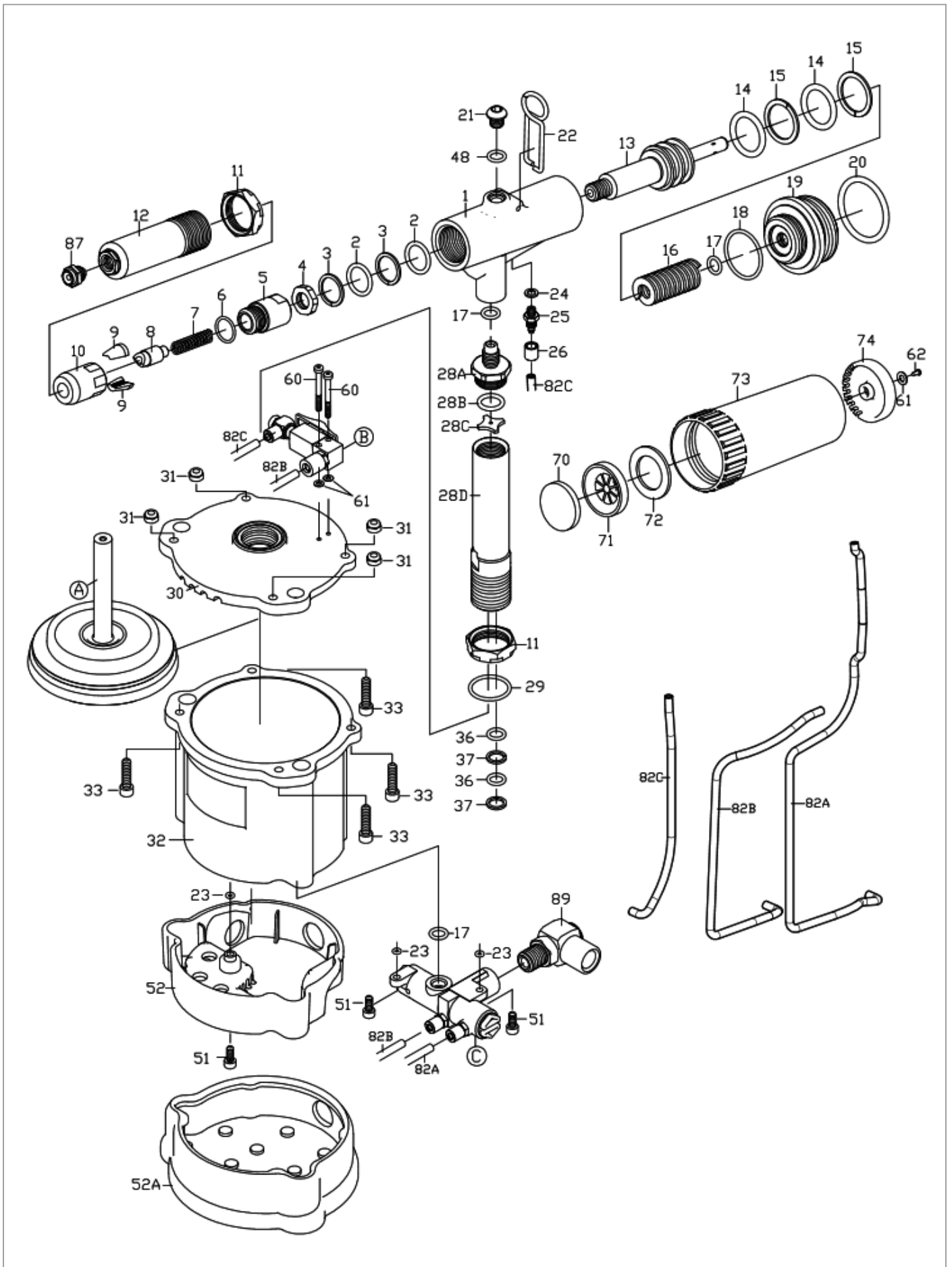


# RRI-PR40948 RIVETER

Index No	Part No.	Description	Q'ty
1	CP922101GW	Hydraulic Section (RAL 7024)	1
*2	CPOR1621	O-ring	2
*3	CPBR1621	Back-up ring	2
4	CP214306	Nut	1
5	CP214305	Jaw housing coupler	1
6	CPOR1417	O-ring	1
7	CP214308	Spring	1
8	CP214302	Jaw pusher	1
*9	CP612303	Jaw	2
10	CP612324A	Jaw hosing	1
11	CP918106	Lock nut	2
12	CP612105	Head	1
13	CP922301	Hydraulic plunger	1
*14	CPOR2229	O-ring	2
*15	CPBR2229	Back-up ring	2
16	CP922309	Return spring	1
17	CPOR0812	O-ring	3
18	CPOR2832	O-ring	1
19	CP922102	Rear gland	1
20	CPOR3542	O-ring	1
21	CPHR00812508	Set screw	1
22	CP258801	Hanger	1
23	CPOR0306	O-ring	8
24	CP612714	Washer	6
25	CP612717	Socket	5
26	CP612711	Cap	6
28A	CP9221082	Hydraulic tube connector-B	1
28B	CPOR1417	O-ring	1
28C	CP8211012	Hydraulic tube washer	1
28D	CP9221081	Hydraulic tube connector-A	1
29	CPOR2025	O-ring	1
30	CP922401GW	Upper cover (RAL 7024)	1
31	CPNN005080B	Nut	4
32	CP922403GW	Air cylinder body (RAL 7024)	1
33	CPHC00508020	Set screw	4
*36	CPOR1419	O-ring	2
*37	CPBR1419	Back-up ring	2
40.	CP922501	Plunger rod	1
41	CP202505	Bumper ring	1
42	CP107503	Front head disc	1
43.	CP819502	Packing ring	1
44.	CP107502	Lower plate	1
45.	CP919211	Valve case	1
*46	CPOR0408	O-ring	2
47	CP919202A	Valve stem	1

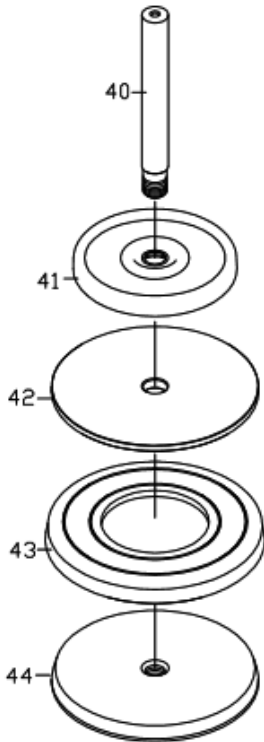
Index No	Part No.	Description	Q'ty
*48	CPOR0711	O-ring	2
*49	CPOR1014	O-ring	1
50	CP107409	Inlet plug	1
50A	CP922409	Socket screw	1
51	CPHC00407010	Set screw	3
52	CP922402	Base	1
52A	CP922404	Rubber boot	1
53	CP922701	Vacuum valve	1
54	CP922702	Sleeve	1
55	CPOR0811	O-ring	2
56	CPPW0510	Washer	1
57	CP612712	Swivel	1
58	CP612713	Socket	1
59	CP922703	Vacuum switch	1
60	CPHC00305020	Set screw	2
61	CPPW0306	Washer	7
62	CPST0310	Screw	5
63	CP107602	Valve body	1
64	CP107601	Bleeding valve	1
65	CP107201R	Trigger	1
66	CP922107RV	Plastic grip-right	1
67	CP922107C	Battery cap	1
68	CP922107LV	Plastic grip-left	1
70	CP919904	Silencer	1
71	CP919903	Muffler seat	1
72	CP919905	Silencer	1
73	CP919901	Mandrel collector	1
74	CP919906	Muffler cap	1
75	CP612901	Deflector	1
76	CP612902	BT Tube (OPT.)	1
77	CP612904	Multi wrench (A)	1
78	CP918905	Multi wrench (B)	1
79	CP314755	5 mm Hex. wrench	1
80	CP922901	Oiler	1
81	CP144905	17 x 19 Wrench	2
82A	CP922704A	2,5 x 4 PU Hose (black)	1
82B	CP922704B	2,5 x 4 PU Hose (orange)	1
82C	CP922704C	2,5 x 4 PU Hose (orange)	1
87	CP612705	Nose piece 5/32" (4,0 mm)	1
	CP612706	Nose piece 3/16" (4,8 mm)	1
	CP612746	Monobolt 3/16" (4,8 mm)	1
89	CP92L2	Air inlet assembly	
*90	CP0922SK	Service kit (optional) (no. 02, 03, 09, 14, 15, 36, 37, 46, 48, 49)	

# RRI-PR40948 RIVETER

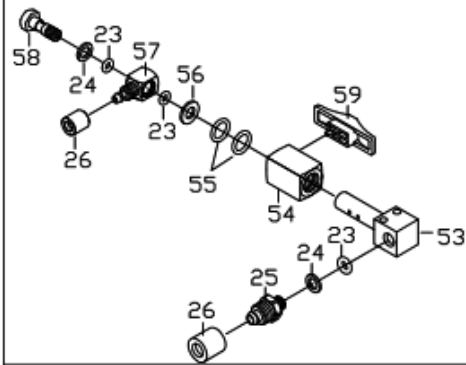


# RRI-PR40948 RIVETER

Ⓐ ASS'Y



Ⓑ ASS'Y



Ⓒ ASS'Y

