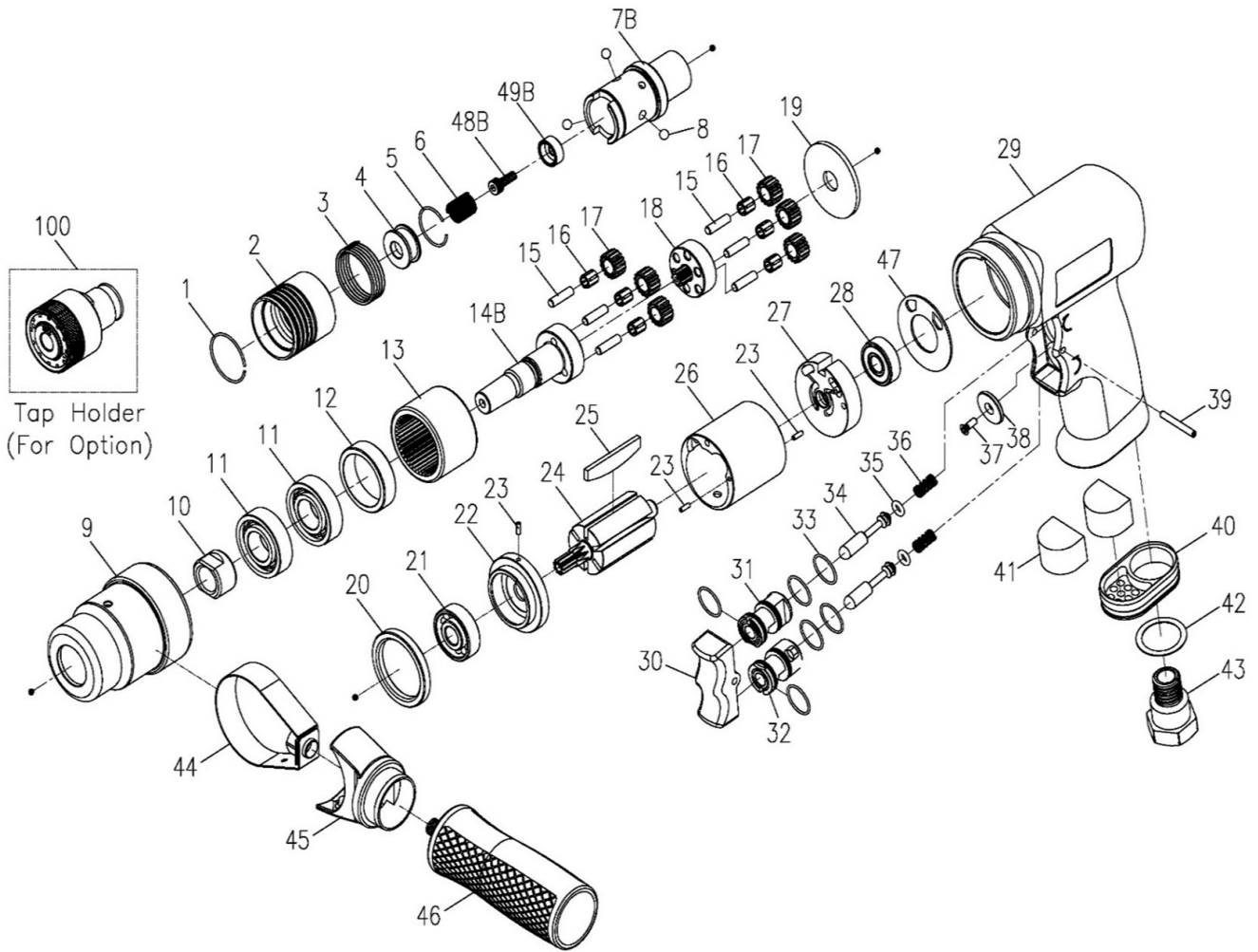


RRI-T330M12 TAPPING MACHINE



Index No.	Part No.	Description	Q'ty
1	775-028	Retaining Ring	1
2	775-024	Quick Change Holder	1
3	775-026	Spring	1
4	775-025	Top Block	1
5	775-029	Block Collar	1
6	775-027	Spring	1
7B	775-030B-B	Spindle	1
8	00-3825	Steel Ball (Ø4.5)	3
9	775-010	Front Cap	1
10	775-022	Nut	1
11	00-2312	Ball Bearing (6002ZZ)	2
12	775-040	Spacer	1
13	775-015	Internal Gear	1
14B	775-021B-B	Gear Cage B	1
15	00-3415	Pin (Ø4x15L)	6
16	00-2405	Needle Bearing (Ø4xØ7x7L)	6
17	516-017E	Idler Gear	6
18	774-10-011	Rear Gear Cage Assy.	1
19	775-019	Washer	1
20	766-007	Spacer	1
21	00-2331	Ball Bearing (629Z)	1
22	775-005	Front Plate	1
23	00-3325	Spring Pin (Ø2x6L)	3
24	775-007	Rotor	1
25	775-008	Rotor Blade	6
26	775-006	Cylinder	1

Index No.	Part No.	Description	Q'ty
27	775-009	Rear Plate	1
28	00-2332	Ball Bearing (608ZZ)	1
29	775-001	Motor Housing	1
30	772-024B	Trigger	1
31	774H-019	F/Valve Sleeve	1
32	774H-020	R/Valve Sleeve	1
33	00-41211	O-Ring (Ø14xØ1)	6
34	772-021	Valve Stem	2
35	00-41172	O-Ring (Ø4xØ2)	2
36	772-025	Spring (Ø5.4x15L)	2
37	00-0505	Screw (M3x6L)	1
38	772-018	Washer	1
39	00-3306	Spring Pin (Ø3x22L)	1
40	305-021	Exhaust Deflector	1
41	774H-027	Muffler	2
42	305F-032	Washer	1
43	772-026A	Air Inlet (1/4"PF-19)	1
	772-026B	Air Inlet (1/4"PT-19)	
	772-026C	Air Inlet (1/4"NPT-18)	
44	775-041	Elastic Collar (Ø44)	1
45	766-025	Side Handle Frame	1
46	766-027	Side Handle	1
47	772-028	Rear Gasket	1
48B	0-101069	Cap Screw (M4x12L)	1
49B	775-044B	Washer	1
100	775-0XXX	Tap Holder (For Option)	X