

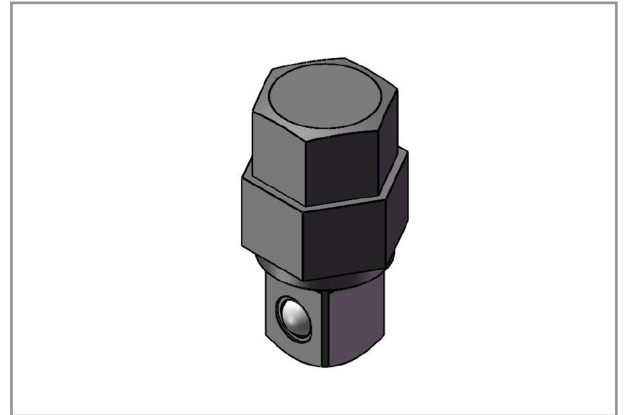
**NovaTork®**

# CALIBRATION ADAPTER - 1/4", 10+11 MM HEX ZJ1-11

## Related products

TES112

Line Checker TES, 1,2 ~12



## Specifications

Brand	NovaTork
Square Drive	1/4"
Hexagon	10+11
EAN	8717981440085