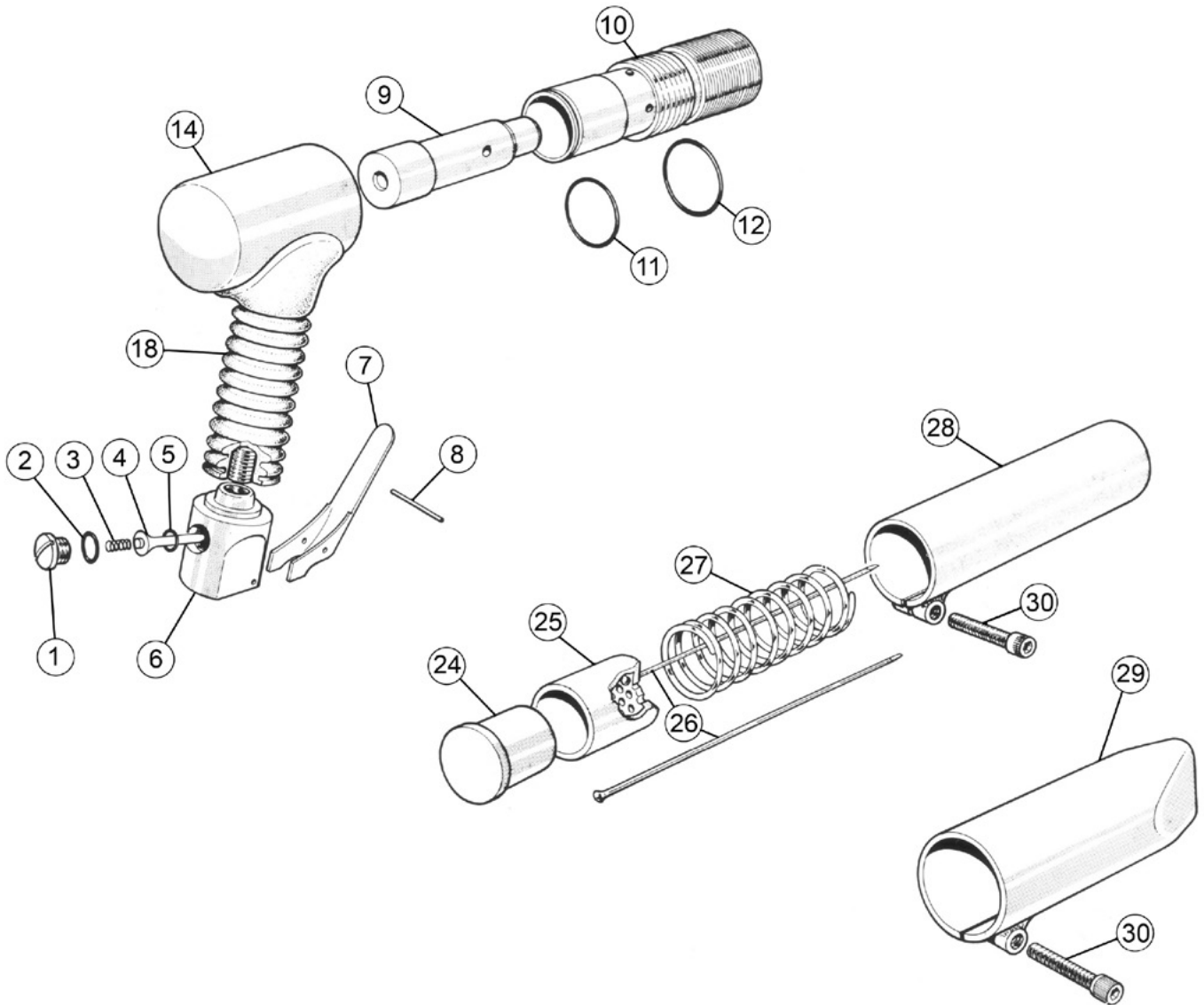


RRI-4006 NEEDLE SCALER



Index No.	Part No.	Description	Q'ty
1	303-A	Valve Cap	1
2	303-B	O' Ring – Valve Cap	1
3	324-A	Valve Spring	1
4	324	Valve Stem	1
5	324-B	O' Ring – Valve Seat	1
6	302	Valve Body 1/4" BSP Thread	1
	303	Valve Body Assembly (inc items 1-8) 1/4" BSP Thread	1
7	323	Throttle Lever	1
8	326	Roll Pin	1
9	215-PG	Piston	1
10	244-PG	Cylinder	1
11	247-PG	O'Ring (Small Dia)	1
12	309	O'Ring (Large Dia)	1

Index No.	Part No.	Description	Q'ty
14	245-PG	Cover	1
18	250-PG	Rubber Grip	1
24	216	Anvil	1
25	217	Needle Holder 3mm	1
	218	Needle Holder 2mm	1
26	6203-0827-03-01	Needle 3mm Flat Tip	19
	6203-0827-03-02	Needle 3mm Chisel Tip	19
	6203-0827-02-01	Needle 2mm Flat Tip	51
27	219	Spring - Compression	1
28	220	Intermediate Tube (Includes item 30)	1
29	222	Straight Front Tube (Includes item 30)	1
30	322	Cap Head Screw	1