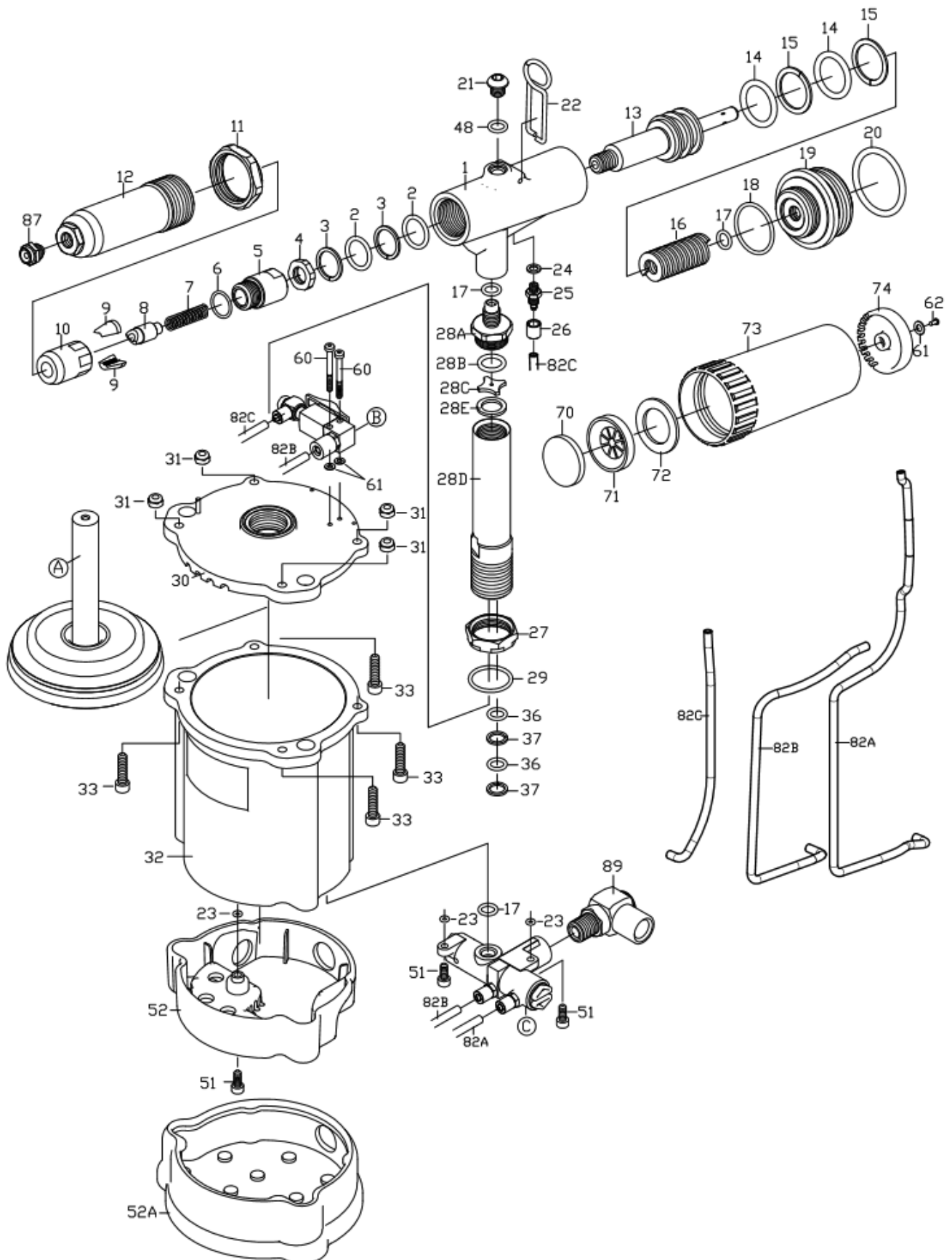


# RRI-PR41764 RIVETER

Index No	Part No.	Description	Q'ty
1	CP725101GW	Hydraulic Section (RAL 7024)	1
*2	CPOR1823	O-ring	2
*3	CPBR1823	Back-up ring	2
4	CP214306	Nut	1
5	CP819305	Jaw housing coupler	1
6	CPOR1417	O-ring	1
7	CP819308	Spring	1
8	CP214302	Jaw pusher	1
*9	CP819303	Jaw	2
10	CP819324	Jaw hosing	1
11	CP819106	Lock nut	2
12	CP819105	Head	1
13	CP725301	Hydraulic plunger	1
*14	CPOR2835	O-ring	2
*15	CPBR2835	Back-up ring	2
16	CP202309	Return spring	1
17	CPOR0812	O-ring	3
18	CPOR3034	O-ring	1
19	CP725102	Rear gland	1
20	CPOR3542	O-ring	1
21	CPHR00812508	Set screw	1
22	CP258801	Hanger	1
23	CPOR0306	O-ring	8
24	CP612714	Washer	6
25	CP612717	Socket	5
26	CP612711	Cap	6
27	CP520106	Nut	1
28A	CP5201082	Hydraulic tube connector-B	1
28B	CPOR1417	O-ring	1
28C	CP8211012	Hydraulic tube washer	1
28D	CP2021081	Hydraulic tube connector-A	1
28E	CP5201083	Washer	1
29	CPOR2025	O-ring	1
30	CP202401GW	Upper cover (RAL 7024)	1
31	CPNN005080B	Nut	4
32	CP202403GW	Air cylinder body (RAL 7024)	1
33	CPHC00508020	Set screw	4
*36	CPOR1621	O-ring	2
*37	CPBR1621	Back-up ring	2
40	CP202501	Plunger rod	1
41	CP202505	Bumper ring	1
42A	CP202504	Front head disc A	1
42B	CP202503	Front head disc B	1
43	CP920505	Packing ring	1
44	CP202502	Lower plate	1
45	CP919211	Valve case	1
*46	CPOR0408	O-ring	2
47	CP919202A	Valve stem	1
*48	CPOR0711	O-ring	2

Index No	Part No.	Description	Q'ty
*49	CPOR1014	O-ring	1
50	CP107409	Inlet plug	1
50A	CP922409	Socket screw	1
51	CPHC00407010	Set screw	3
52	CP202402	Base	1
52A	CP202404	Rubber boot	1
53	CP922701	Vacuum valve	1
54	CP922702	Sleeve	1
55	CPOR0811	O-ring	2
56	CPPW0510	Washer	1
57	CP612712	Swivel	1
58	CP612713	Socket	1
59	CP922703	Vacuum switch	1
60	CPHC00305020	Set screw	2
61	CPPW0306	Washer	7
62	CPST0310	Screw	1
62A	CPHC00305006	Set screw	4
63	CP107602	Valve body	1
64	CP107601	Bleeding valve	1
65	CP107201R	Trigger	1
66	CP202107RV	Plastic grip-right	1
67	CP202107C	Battery cap	1
68	CP202107LV	Plastic grip-left	1
68A	CPHR002504506	Set screw	2
70	CP919904	Silencer	1
71	CP919903	Muffler seat	1
72	CP919905	Silencer	1
73	CP919901	Mandrel collector	1
74	CP919906	Muffler cap	1
75	CP612901	Deflector	1
76	CP612902	PU tube (OPT.)	1
77	CP612904	Multi wrench (A)	1
78	CP918905	Multi wrench (B)	1
79	CP314755	5 mm Hex. wrench	1
80	CP922901	Oiler	1
81A	CP144905	17 x 19 Wrench	2
81B	CP144906	19 x 21 Wrench	1
82A	CP202704A	2,5 x 4 PU Hose (black)	1
82B	CP202704B	2,5 x 4 PU Hose (orange)	1
82C	CP202704C	2,5 x 4 PU Hose (orange)	1
87	CP612706	Nose piece 3/16" (4,8 mm)	1
	CP612708	Nose piece 1/4" (6,4 mm)	1
	CP612746	Monobolt nosepiece 3/16" (4,8 mm)	1
	CP612748	Monobolt nosepiece 1/4" (6,4 mm)	1
89	CP92L2	Air inlet assembly	
*90	CP1725SK	Service kit (opt.) (no. 02, 03, 09, 14, 15, 36, 37, 46, 48, 49)	1

# RRI-PR41764 RIVETER



# RRI-PR41764 RIVETER

