

CORDLESS SHUT-OFF ANGLE WRENCH

RRI-BA10ICA H12

RED ROOSTER cordless angle wrench with automatic shut-off. Very well suited for assembly applications with a need of good torque accuracy. Especially in areas where cables and hoses impede handling flexibility, such as interiors of cars, coaches and trains.

Characteristics:


- Brushless motor
- 18 Volt Lithium-Ion battery
- LED status indicates OK - NOK - REVERSE - BATTERY LOW
- Adjustable torque (5-11 Nm)
- Speed 620 RPM
- in-line closed geared offset head with 12 mm Hexagon drive
- Compact and light weight

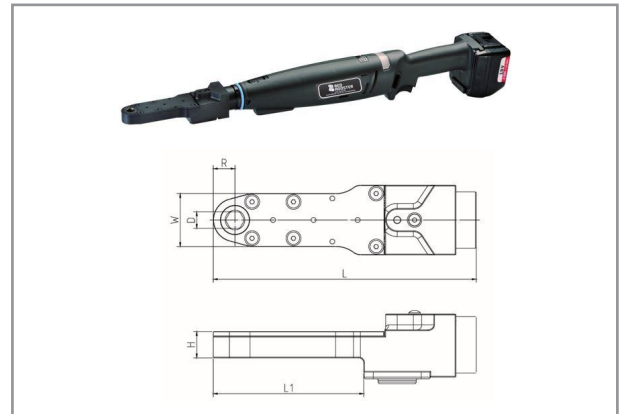
Battery and charger to be ordered separately

Related products

-  **BB200D-325**
20V 2.5Ah Battery, Li-ion
-  **B74SC180B**
Programmer
- BB200D-350**
20V 5.0Ah Battery, Li-ion
- B84192B**
18-20V Charger
- E86B-VD**
Power Cord (EU)

Related accessories

-  **33116-B200D-01**
Protection Cover
-  **33116-B200D-02**
Protection Cover
-  **00-4507**
Torque Adjust Key RRI screwdriver



Specifications

Brand	RedRoosterIndustrial
RPM	620
Torque (Nm)	5 - 11
Weight (kg)	2,2
mm A	480
mm B	87
mm D	12
mm H	16
mm L	159
mm R	13,1
mm W	32
A/F (mm)	12
L1 mm	91
Battery voltage (Volt)	20
Battery type Li-ion....(Ah)	2,5 / 5,0
Safety standard	EN ISO 11148-6
Vibration standard	EN ISO 28927-2
Vibration value (m/s ²)	12,5
Vibration uncertainty (m/s ²)	1,5
Sound standard	ISO 15744
Sound pressure (dB(A))	73,3
Sound uncertainty (dB(A))	3
EAN	8717981357215