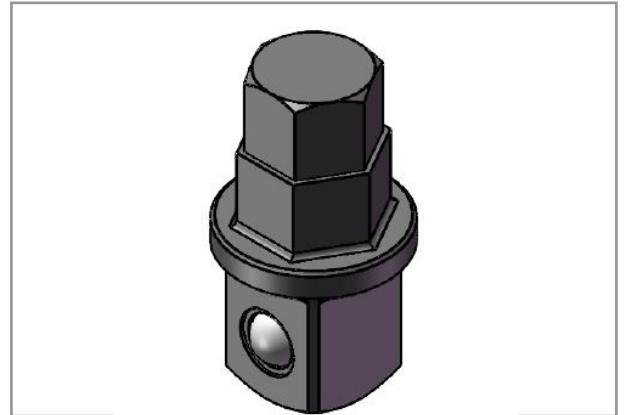


CALIBRATION ADAPTER - 1/4", 5+5,5 MM HEX ZJ1-5,5

Related products

TES112

Line Checker TES, 1,2 ~12



Specifications

| | |
|---------------------|---------------|
| Brand | NovaTork |
| Square Drive | 1/4" |
| Hexagon | 5+5,5 |
| EAN | 8717981440054 |