

REACTION BAR RRI-BEC025-250 31022-GW010

Related products



RRI-BEC250S

High Torque Gear Wrench 2500 Nm



RRI-BEC025S

High Torque Gear Wrench 250 Nm



RRI-BEC150S

High Torque Gear Wrench 1500 Nm



RRI-BEC250

High torque gear wrench 2500 Nm



RRI-BEC090S

High Torque Gear Wrench 900 Nm



RRI-BEC120S

High Torque Gear Wrench 1200 Nm



RRI-BEC055

High torque gear wrench 550 Nm



RRI-BEC120

High torque gear wrench 1200 Nm



RRI-BEC090

High torque gear wrench 900 Nm



RRI-BEC150

High torque gear wrench 1500 Nm



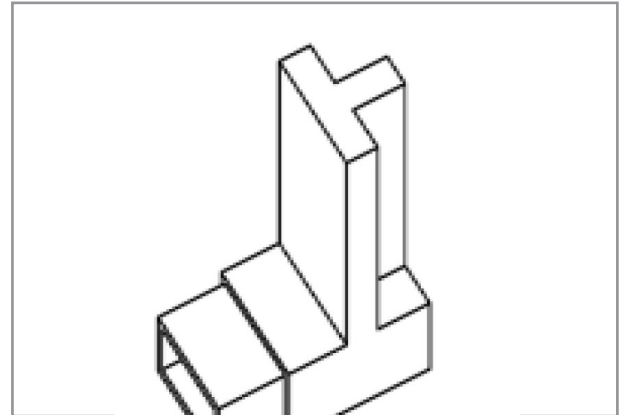
RRI-BEC025

High torque gear wrench 250 Nm



RRI-BEC055S

High Torque Gear Wrench 550 Nm



Specifications

Brand

RedRoosterIndustrial

EAN

8717981454372