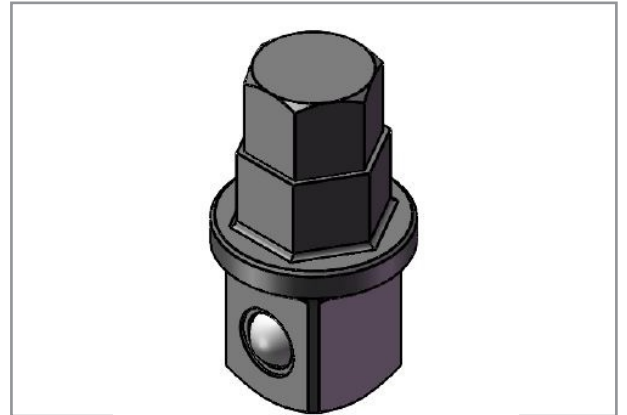


# CALIBRATION ADAPTER - 1/4", 3+4 MM HEX ZJ1-4

**Related products**

TES112

Line Checker TES, 1,2 ~12



**Specifications**

<b>Brand</b>	<b>NovaTork</b>
<b>Square Drive</b>	<b>1/4"</b>
<b>Hexagon</b>	<b>3+4</b>
<b>EAN</b>	<b>8717981440047</b>