

# CALIBRATION ADAPTER - 1/2", 14+16 MM HEX ZJ3-16

## Related products

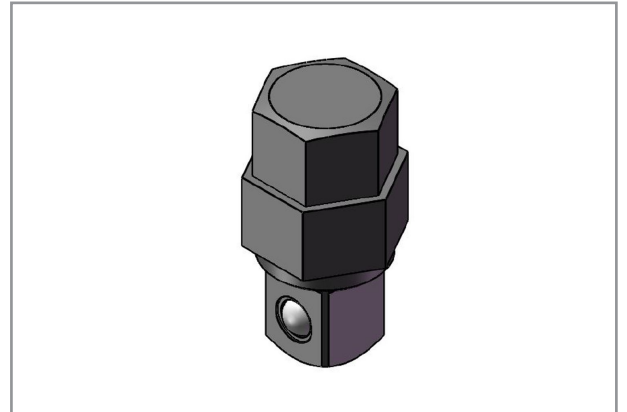


**TES3150**  
Line Checker TES 15 ~ 150 Nm



**TES3250**  
Line Checker TES 25 ~ 250 Nm

**TES3400**  
Line Checker TES 40 ~ 400 Nm



## Specifications

<b>Brand</b>	<b>NovaTork</b>
<b>Square Drive</b>	<b>1/2"</b>
<b>Hexagon</b>	<b>14+16</b>
<b>EAN</b>	<b>8717981440153</b>