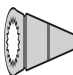
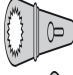
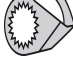

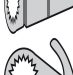
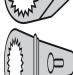
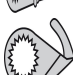
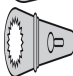

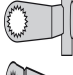
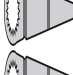
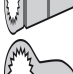
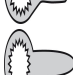
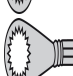
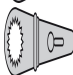

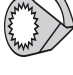


MULTI CUTTER RR-476

This Multi cutter of RED ROOSTER is used for a variety of purposes. As windscreen cutter for example, with a big variety of different blades. Or as oscillating sander, with triangular pad. Or as oscillating saw, making it possible to start anywhere you want to in the sheet metal.

Related accessories

-  **475KR16-1-2**
Cuttingblade 16mm RR-476 2 pcs
-  **475LR54**
Cuttingblade 54mm RR-476
-  **475U45**
Bent Cuttingblade 45mm RR-476
-  **475380**
Sanding pad 80
-  **475KR16/35**
Cuttingblade 16/35mm RR-476
-  **475U10**
Bent Cuttingblade 10mm RR-476
-  **475L80**
Cuttingblade 80mm RR-476
-  **475U70**
Bent Cuttingblade 70mm RR-476
-  **475L85**
Cuttingblade 85mm RR-476
-  **475101**
Saw Blade 63Mm
-  **475M13**
Scrapeblade 13mm RR-476
-  **475K45**
Cuttingblade 45mm RR-476
-  **475KR60/76**
Cuttingblade 60/76mm RR-476
-  **475VZ14**
Cuttingblade 14mm RR-476
-  **475G26**
Straight Cuttingblade 26mm RR-476
-  **475M18-1**
Scrapeblade 18mm RR-476
-  **475LR23**
Cuttingblade 23mm RR-476
- **475M25**
Scrapeblade 25mm RR-476
- **475U60**
Bent Cuttingblade 60mm RR-476
- 475801**



Specifications

Brand	RedRooster
Airconsumption (l/s)	6,5
Weight (kg)	1,1
Airconnection	PT 1/4"
Airpress max. (MPa)	0,63
mm A	195
mm B	79
Hosediameter (mm)	6,5
Sawing capacity (mm)	1
Oscillations (p/min)	0 - 22000
Vibration standard	EN ISO 28927-8
Vibration value (m/s ²)	2,3
Vibration uncertainty (m/s ²)	0,72
Sound standard	ISO 15744
Sound pressure (dB(A))	90
Sound power (dB(A))	101
Sound uncertainty (dB(A))	3
EAN	8717981148394

