

# CALIBRATION ADAPTER - 3/8", 14+16 MM HEX ZJ2-16

## Related products

TES225

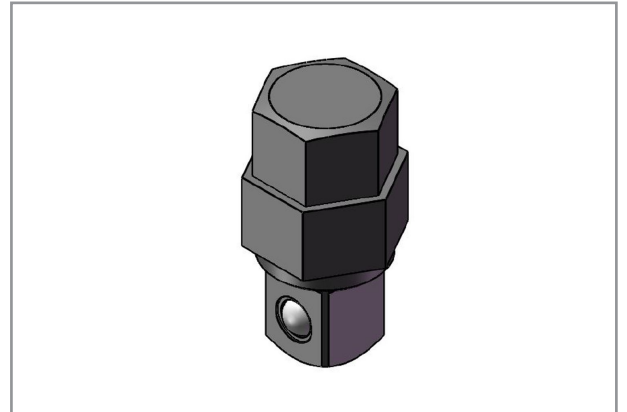
Line Checker TES 2,5 ~ 25 Nm

TES275

Line Checker TES 7,5 ~ 75 Nm

TES240

Line Checker TES 4 ~ 40 Nm



## Specifications

Brand	NovaTork
Square Drive	3/8"
Hexagon	14+16
EAN	8717981440139