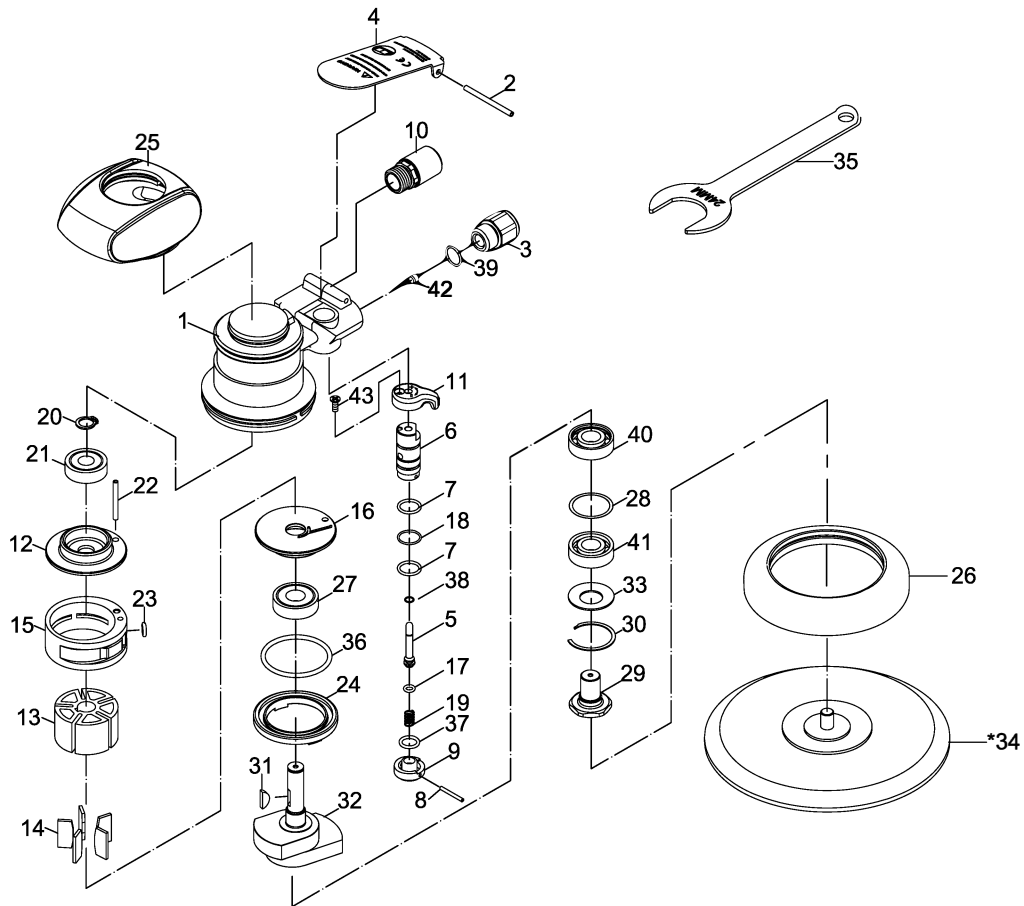


RRI-6150-2NV PALM SANDER

EDITION 2



Index No.	Parts No.	Description	Index No.	Parts No.	Description
1	66-5137C01	Housing	23	OR00608109	O-Ring (6.8×1.9)
2	SP03004000	Spring Pin (3×40L)	24	66-6133C29	Lock Ring
3	66-6133C03	Air Inlet	25	66-5137C30	Grip Hat
4	66-6133C04-0051	Throttle Lever	26	66-613331	Shroud
5	66-6133C05	Shaft	27	06001ZZ	Ball Bearing (6001ZZ)
6	66-5137C06	Bushing	28	66-6132A13	Washer
7	OR01007105	O-Ring(2) (10.7×1.5)	29	66-6132A34	Shaft
8	51542	Spring Pin (2×18L)	30	60-613135	Snap Ring (6001ZZ)
9	66-5137C11	Lock Seat	31	61934	Key (3×13)
10	66-6133C26-11S	Silencer	32	66-6233A37	Balancer Shaft
11	66-5137C10	Regulator	33	60-613139	Washer
12	66-6133C14	Rear End Plate	*34	610227V-61	Pad (6")
13	66-6132A15	Rotor	35	66-6132A54	Spanner
14	66-5137C16	Rotor Blade(5)	36	OR03904301	O-Ring (39.4×3.1)
15	66-5137C18	Cylinder	37	40130	O-Ring (8.8×1.7)
16	66-6133C19	Front End Plate	38	OR00200100	O-Ring (2×1)
17	OR00307108	O-Ring (3.68×1.78)	39	82247	O-Ring (13.5×1.5)
18	52236	O-Ring (10.5×1)	40	06001	Ball Bearing (39.4×3.1)
19	66-6133C08	Spring	41	06001P	Ball Bearing (6001P)
20	66-6132A12	Retainer Ring	42	66-6133C22	Stopper
21	06000ZZ	Ball Bearing (6000ZZ)	43	61035	Screw (M3x8L)
22	SP03002800	Spring Pin (3×28)			

* optional part

66-5237-0001