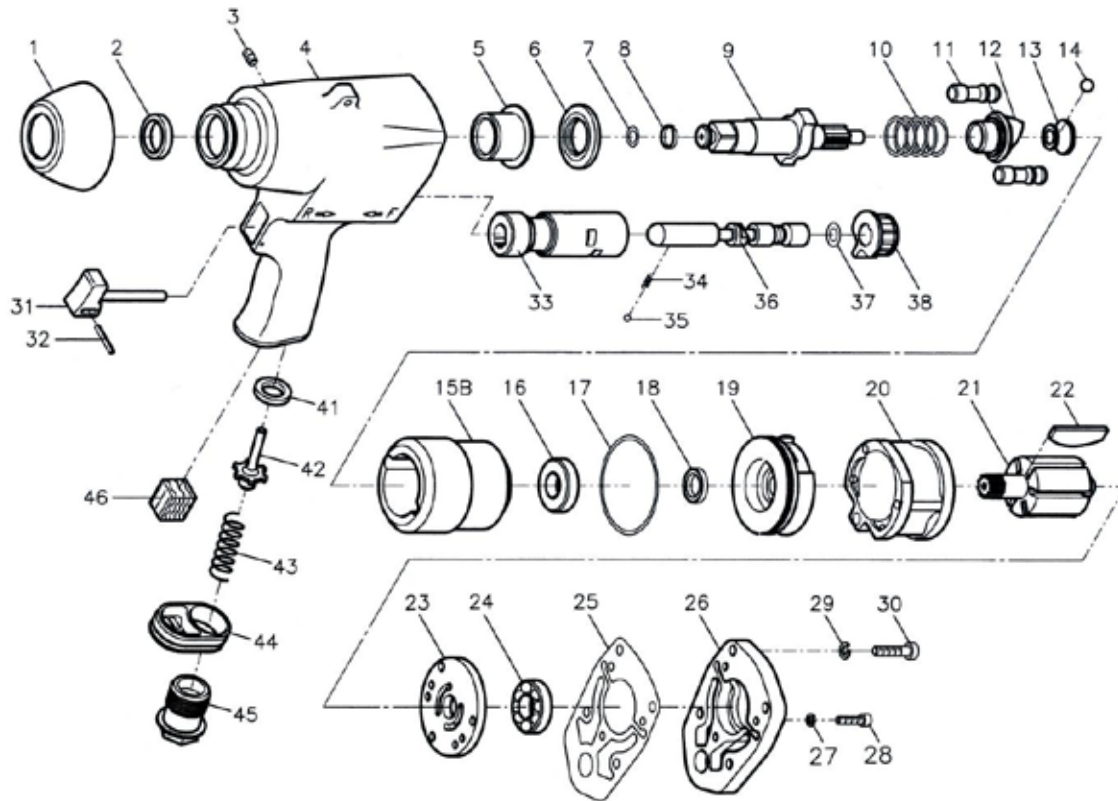


RR-160H IMPACT WRENCH 1/2"



Index No.	Part No.	Description	Q'ty
1	306-020	Front Rubber	1
2	00-4203	Oil Seal	1
3	00-0601	Set Screw	1
4	306-001-C	Motor Housing	1
5	302-010	Anvil Bushing	1
6	302-033	Spacer	1
7	00-4103	O-Ring	1
8	250-033	Anvil Collar	1
9	302-011NA4	Anvil	1
	302-011NB4	2" Anvil	1
10	300-018	Spring	1
11	306-016	Hammer Pin	2
12	302-013	Cam	1
13	302-014	Cam Foundation	1
14	00-3807	Steel Ball	1
15B	308-012	Hammer Cage	1
	302-012	Hammer Cage	1
16	00-2317	Ball Bearing	1
17	00-4120	O-Ring	1
18	00-4204	Oil Seal	1
19	302-005	Front End Plate	1
20	306-006	Cylinder	1
21	302-007	Rotor	1
22	302-008	Rotor Blade	6

Index No.	Part No.	Description	Q'ty
23	302-009	Rear End Plate	1
24	00-2318	Ball Bearing	1
25	306-019-B	Gasket	1
26	306-003	Rear Cover	1
27	00-1805	Spring Washer	3
28	00-0105	Cap Screw	3
29	00-1806	Spring Washer	4
30	00-0104	Cap Screw	4
31	306-025	Trigger	1
32	00-3326	Spring Pin	1
33	306-022	Valve Sleeve	1
34	306-031	Spring	1
35	00-3802	Steel Ball	1
36	306-023	Reverse Valve	1
37	00-4145	O-Ring	1
38	306-021	Reverse Valve Knob	1
41	306-021-B	Bushing	1
42	306-026	Valve Stem	1
43	306-028-B	Spring	1
44	306-030	Exhaust Deflector	1
45	306-029A-C	Air Inlet (1/4" PF)	1
	306-029B-C	Air Inlet (1/4" PT)	1
	306-029C-C	Air Inlet (1/4" NPT)	1
46	306-035	Muffler	1