

Parts for Motor Case

No.	Name of Parts	Per Set	Parts No.
M	Motor Case Assy.	1set	0187 0011 02 99
M1	Motor Case (1) Assy.	1set	0187 0011 02 69
A1	Motor Case (2) Assy.	1set	0187 0011 00 68
	(a) Motor Case	1	* ↑
	Holder Assy.	1set	0181 0717 01 99
	(b) Holder	1	0168 0717 00 00
	Cable Assy.	1set	* ↑
	(c) Connector(R05-JB8M)	1	* ↑
	(d) Cable (820mm)	1	* ↑
	(e) Shrinkage Tube (W3B2 16/4 35mm)	1	* ↑
	(f) O-Ring (P8)	3	9010 1048 00 00
	(g) Washer (7.3×11.1×1.5)	2	8040 1151 00 00
	(h) Lock Bolt	1	0270 0666 00 00
	(i) Shrinkage Tube (W3B2 16/4 35mm)	1	9380 5014 00 00
	(j) Shrinkage Tube (φ3×8)	1	9380 5036 00 00
	(k) Shrinkage Tube (φ1.5×8)	4	9380 5028 00 00
	(l) Micro Connector (PM-10) 4 Cores	1	8500 2004 00 00
	(m) Shrinkage Tube (φ5×8)	1	9380 5035 00 00
	(n) Micro Connector (PM-10) 2 Cores	1	8500 2002 00 00
	(o) Cord Cover	1	0187 0948 00 00
A2	Spring Pin (6×10)	1	9250 1082 00 00
A3	Hose Joint Assy.	1set	0187 0113 00 99
	(a) Hose Joint	1	* ↑
	(b) Strainer	1	0259 0111 00 00
	(c) Washer (7.5×11×2)	1	8042 2008 00 00
A4	Exhaust Cover	1	0334 0016 00 00
A5	Silencer Sheet (A)	1	0141 0032 00 01
A6	Silencer Sheet (D)	1	0187 0032 00 04
A7	Silencer Sheet (B)	1	0187 0032 01 02
A8	Silencer Sheet (C)	1	0181 0032 00 03
A9	O-Ring (S10)	1	9010 4004 00 00
A10	O-Ring (S16)	1	9010 4009 00 00
A11	O-Ring (1×20×22)	1	9010 6043 00 00
A12	Throttle Assy.	1set	0187 0186 02 99
	(a) Throttle Bushing	1	0187 0104 00 00
	(b) O-Ring (0.7×19.6×21)	1	9010 6038 00 00
	(c) O-Ring (S18)	1	9010 4023 00 00
	Throttle Rod Bushing Assy.	1set	0187 0105 00 99
	(d) Throttle Rod Bushing	1	* ↑
	(e) O-Ring (P8)	1	9010 1048 00 00
	Throttle Rod Assy.	1set	0187 0106 01 99
	(f) Throttle Rod	1	0187 0106 01 00
	(g) O-Ring (0.5×3.7×4.7)	1	9010 6034 00 00
	(h) O-Ring (S4)	1	9010 4058 00 00
	(i) Snap Ring (ETW-2.8)	1	9040 5008 00 00
	(j) Reverse Valve	1	0187 0005 02 00
	(k) O-Ring (0.6×16×17.2)	1	9010 6039 00 00
	(l) O-Ring (S15)	1	9010 4008 00 00
	(m) Spring (3×4)	1	8020 1246 00 00
	(n) Ball (1/8)	1	9150 3009 00 00
	(o) Reverse Lever	1	2331 0007 00 00

The part "*" can not be supplied individually.

So please order it as a unit of assembly shown by arrow mark (↑).

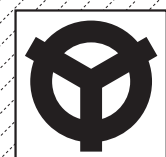
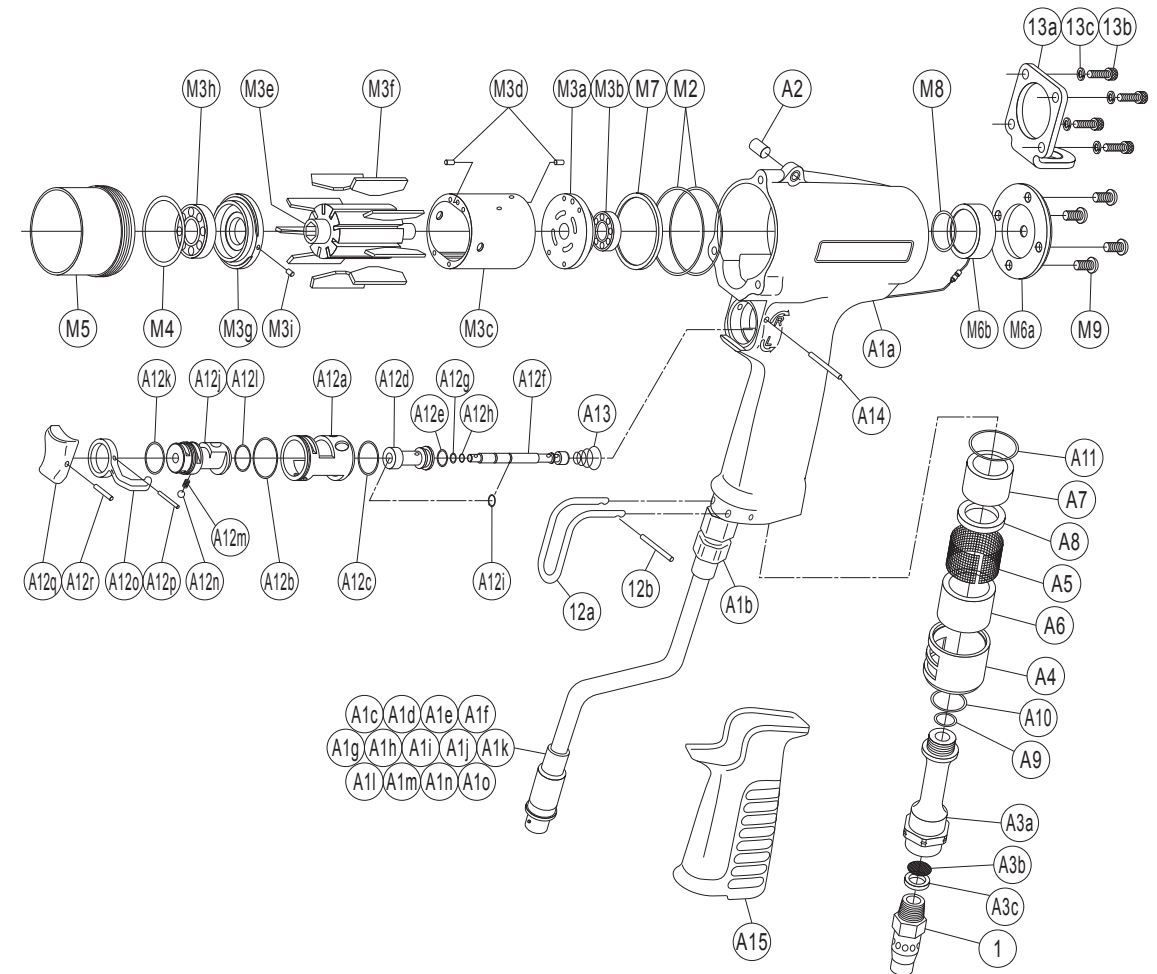
No.	Name of Parts	Per Set	Parts No.
	(p) Spring Pin (2×12)	1	9250 1015 00 00
	(q) Throttle Knob	1	0158 0153 00 00
	(r) Spring Pin (1.5×14)	1	9250 1005 00 00
A13	Conical Spring (5.24×7.6×7)	1	8020 3070 00 00
A14	Pin (2×22)	1	8055 1050 00 00
A15	Rubber Grip	1	0158 0144 00 00
M2	O-Ring (S42)	2	9010 4018 00 00
M3	Motor Assy.	1set	0187 0305 00 99
	Upper Plate Assy.	1set	0187 0303 01 99
	(a) Upper Plate	1	0187 0303 00 00
	(b) Ball Bearing (6900)	1	9100 1078 00 00
	Cylinder Assy.	1set	0187 0304 00 99
	(c) Cylinder	1	* ↑
	(d) Pin (2.5×6)	2	8055 1053 00 00
	(e) Rotor	1	0187 0305 00 00
	(f) Vane	9	0187 0306 00 00
	Lower Plate Assy.	1set	0187 0307 00 99
	(g) Lower Plate	1	0187 0307 00 00
	(h) Ball Bearing (6902CM)	1	9102 1004 00 00
	(i) Pin (2×5)	1	8055 1040 00 00
M4	ST-Packing (33.15×36.9×0.2)	1	8011 1105 00 00
M5	Lower Plate Spacer	1	0187 0311 00 00
M6	Motor Case Cover Assy.	1set	0187 0001 02 99
	(a) Motor Case Cover	1	0187 0001 02 00
	(b) Buzzer Assy.	1set	0181 0903 02 99
M7	Upper Plate Spacer	1	0187 0301 01 00
M8	O-Ring (0.8×22×23.6)	1	9010 6040 00 00
M9	Cross Recessed Screw (M4×8)	4	9410 2030 00 00
1	Touch Joint (1/4)	1	9690 0007 00 00
Optional Accessories			
12	Hanger (A) Assy.	1set	0187 0017 00 99
	(a) Hanger (A)	1	0187 0017 00 01
	(b) Spring Pin (2.5×22)	1	9250 1102 00 00
13	Hanger (B) Assy.	1set	0187 0017 00 98
	(a) Hanger (B)	1	0187 0017 00 02
	(b) Hexagon Socket Bolt (M4×16)	4	8070 3112 00 00
	(c) Spring Washer (M4)	4	9200 3012 00 00

yokota
FA SYSTEM & AIR TOOLS

With built-in torque sensor 2BLADE·SYSTEM WRENCH

MODEL (YES.No.)	TOOL No.
TKa111 (00)	0366 0000 0000

Exploded View of Motor Case



YOKOTA EUROPA BV

De Ruijterkade 120, 1011AB Amsterdam, Netherlands PHONE 020-5318800 FAX 020-5318808
e-mail: info@impulsetools.com http://www.impulsetools.com

Hydraulic Impulse Wrenches, Impact Wrenches, Drills, Grinders, Screw Drivers, Chippers, Scalars, Pumps.

Parts for Liner Case

No.	Name of Parts	Per Set	Parts No.
L	Liner Case Assy.	1set	0366 0422 00 99
L1	Liner Case	1	0366 0422 00 00
L2	O-Ring (1.5x38x41)	1	9010 6041 00 00
L3	Liner Cap	1	0187 0423 00 00
L4	Liner Upper Plate	1	0366 0424 00 00
L5	O-Ring (JASO 1033)	1	9011 3004 00 00
L6	Liner Assy.	1set	0366 0425 00 99
	(a) Liner	1	※ ↑
	(b) Pin (3x5)	2	8052 1031 00 00
	(c) Pin (3x9)	2	8052 1052 00 00
L7	Relief Valve	1	0187 0245 00 00
L8	Pin (2x4)	1	8051 1035 00 00
L9	Liner Shaft	1	0366 0796 00 00
L10	Blade	2	0187 0719 00 00
L11	Spring (3.55x31.5)	2	8020 1350 00 00
L12	Liner Lower Plate (A)	1	0366 0426 00 01
L13	Liner Lower Plate (B) Assy.	1set	0366 0426 00 99
	(a) Liner Lower Plate (B)	1	※ ↑
	(b) Pin (3x5)	1	8052 1031 00 00
L14	Adjust Bolt	1	0366 0522 00 00
L15	O-Ring (N2)	2	9010 4001 00 00
L16	Back-up Ring (N2)	1	9090 2001 00 00
L17	Oil Plug	2	0181 0010 00 00
L18	O-Ring (N2)	2	9010 4001 00 00
L19	Spring (1.9x2.5)	1	8020 1365 00 00
L20	Ball (2mm)	1	9150 1001 00 00
L21	O-Ring (P16)	1	9010 1047 00 00
L22	Back-up Ring (16x19.8x1)	1	9090 1029 00 00
★ 2	ST-Packing (12x20x0.1)	1	8011 1115 00 00
★ 3	ST-Packing (12x20x0.2)	1	8011 1116 00 00
★ 4	ST-Packing (12x20x0.3)	1	8011 1117 00 00
★ 5	ST-Packing (12x20x0.4)	1	8011 1118 00 00
★ 6	ST-Packing (12x20x0.5)	1	8011 1119 00 00
7	Middle Pin	1	0366 0312 01 00

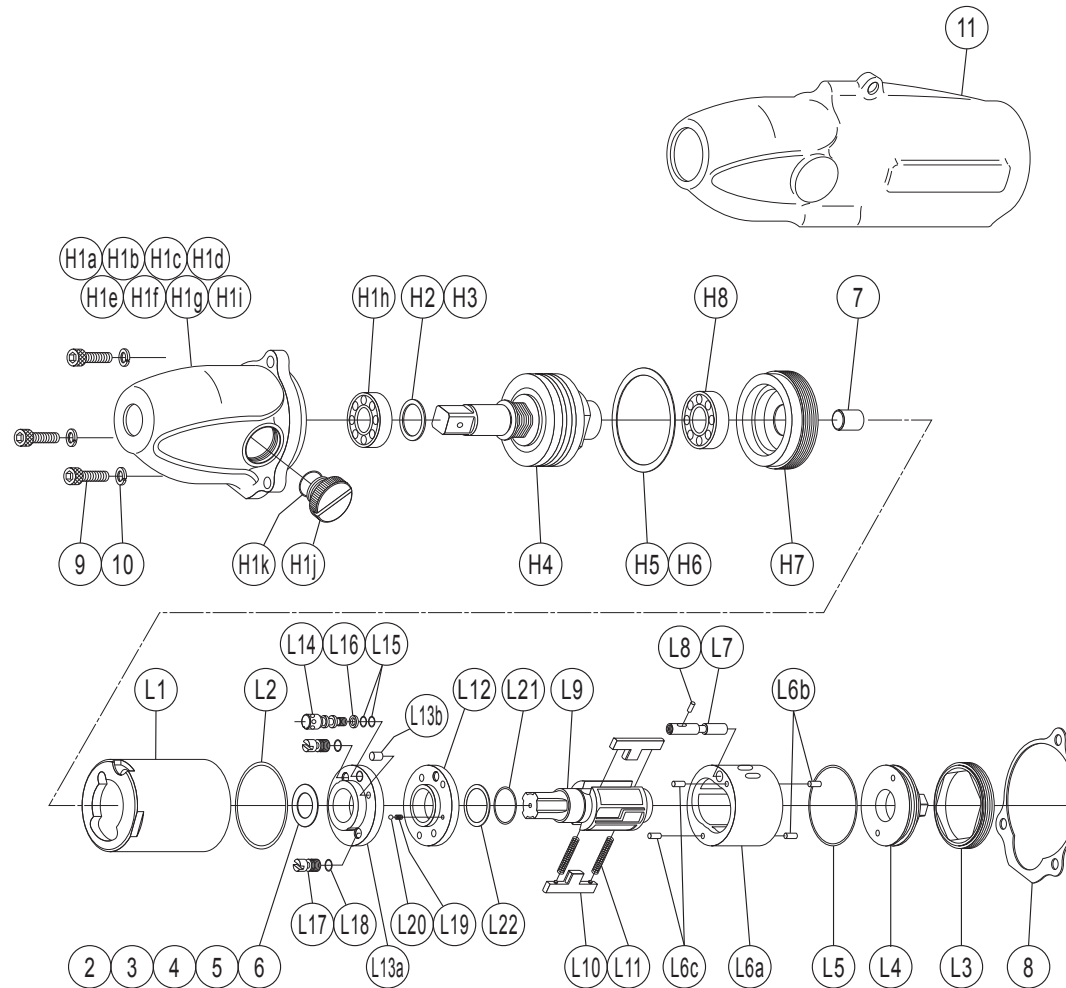
The part "※" can not be supplied individually.
So please order it as a unit of assembly shown by arrow mark (↑).

★Marked parts may not be used, in some case.

With built-in torque sensor 2BLADE·SYSTEM WRENCH

MODEL (YES.No.)	TOOL No.
TKa111 (00)	0366 0000 0000

Exploded View of Liner Case and Hammer Case



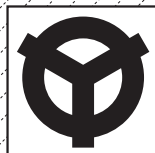
Parts for Hammer Case

No.	Name of Parts	Per Set	Parts No.
H	Hammer Case Assy.	1set	0366 0401 00 99
H1	Hammer Case (1) Assy.	1set	0187 0401 01 69
	(a) Hammer Case	1	※ ↑
	(b) Core (A) Assy.	1set	※ ↑
	(c) Core (C)	2	※ ↑
	(d) Spacer (A)	1	※ ↑
	(e) Core (D) Assy.	1set	※ ↑
	(f) Set Screw (M4x5)	1	※ ↑
	(g) Shrinkage Tube (φ1.5x8)	4	※ ↑
	(h) Ball Bearing (6803ZZ)	1	9100 5027 00 00
	(i) Off-Set Connector Assy.	1set	0181 1553 00 09
	(j) Regulator Cap	1	0181 0204 00 00
	(k) O-Ring (S10)	1	9010 4004 00 00
★H2	ST-Packing (17.5x21.5x0.1)	1	8011 1083 00 00
★H3	ST-Packing (17.5x21.5x0.2)	1	8011 1062 00 00
H4	Main Shaft Assy.	1set	0366 0614 00 99
★H5	C-Packing (37x40.3x0.1)	1	8010 1293 00 00
★H6	C-Packing (37x40.3x0.2)	1	8010 1294 00 00
H7	Bearing Case	1	0187 0650 01 00
H8	Ball Bearing (6803ZZ)	1	9100 5027 00 00
8	S-Packing	1	0187 0003 00 00
9	Hexagon Socket Bolt (M4x12)	3	8070 3059 00 00
10	Spring Washer (M4)	3	9200 3012 00 00
Standard Accessories			
	TF Pin (2x90)	1	8051 6001 00 00
	Hanger Ring	1	0217 0018 00 00
11	Protector	1	0187 0029 00 00

The part "※" can not be supplied individually.
So please order it as a unit of assembly shown by arrow mark (↑).

★Marked parts may not be used, in some case.

036600-P1106



YOKOTA EUROPA BV

De Ruijterkade 120, 1011AB Amsterdam, Netherlands. PHONE 020-5318800 FAX 020-5318808
e-mail: info@impulsetools.com http://www.impulsetools.com
Hydraulic Impulse Wrenches, Impact Wrenches, Drills, Grinders, Screw Drivers, Chippers, Sealers, Pumps.