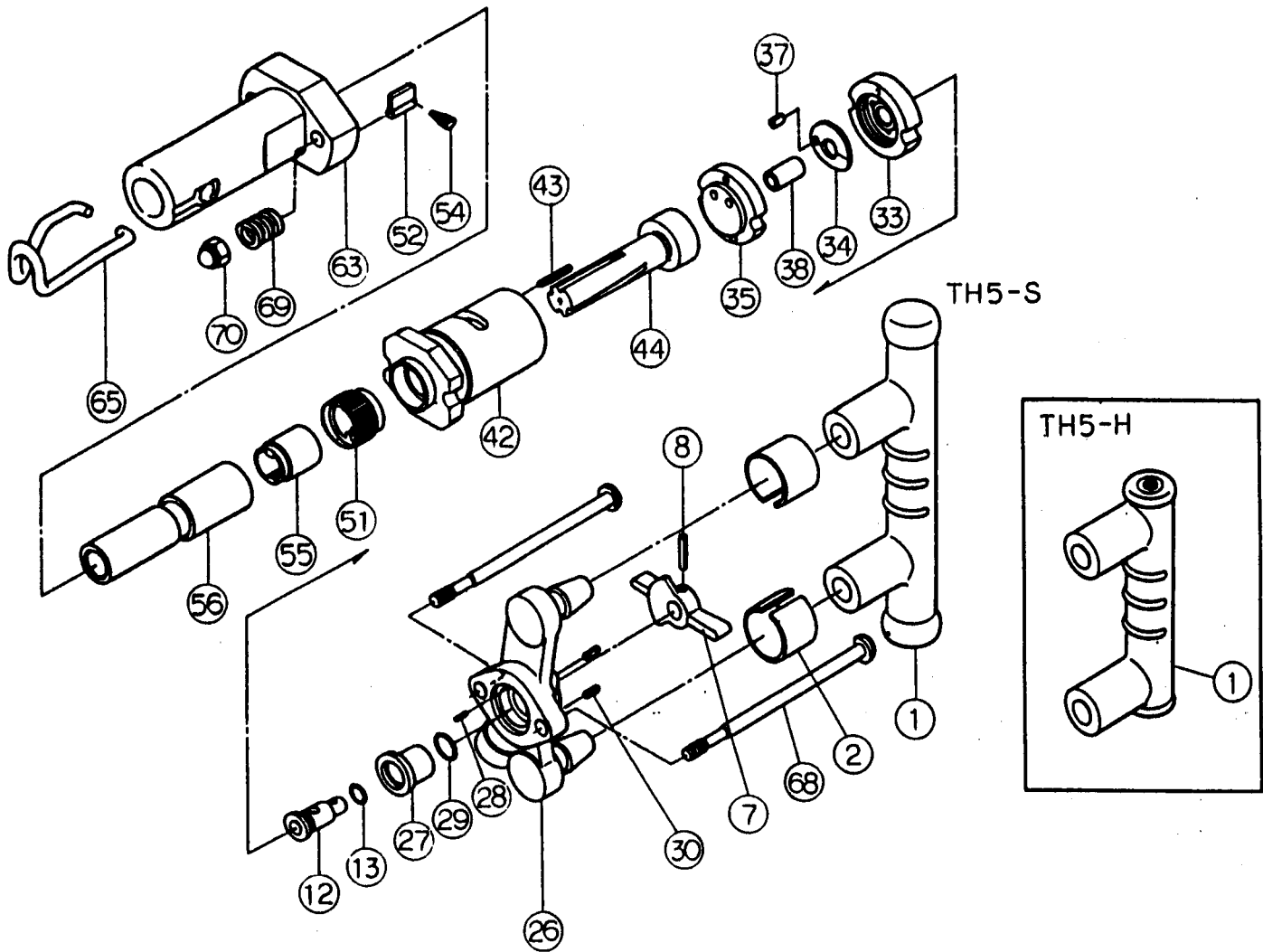


TH5-S (H) ROTARY HAMMER PARTS LIST



Index No.	Parts No.	Q'ty Req.	Description	Index No.	Parts No.	Q'ty Req.	Description
1	13-66-02-030	1	HANDLE (S)	38	43-04-32-C10	1	VALVE GUIDE
2	43-04-56-B40	2	HANDLE CLIP	42	43-04-97-000	1	CYLINDER
7	43-04-95-D40	1	THROTTLE VALVE HANDLE	43	13-06-04-025	1	SPRING PIN 4 X 25
8	13-06-04-025	1	SPRING PIN 4 X 25	44	43-04-97-R70	1	PISTON
12	43-04-95-G10	1	THROTTLE VALVE	51	43-04-97-K40	1	RATCHET RING
13	13-11-01-012	1	O RING P-12	52	43-04-30-K50	2	ROTATION PAWL
26	43-04-95-B20	1	BACK HEAD	54	13-08-03-058	2	RATCHET PAWL SPRING
27	43-04-95-D50	1	THROTTLE VALVE BUSHING	55	43-04-97-L00	1	GUIDE NUT
28	13-06-02-108	1	SPRING PIN 2.5 X 8	56	43-04-97-E00	1	CHUCK
29	13-11-11-116	1	O RING JASO-1016	63	43-04-97-E58	1	FRONT COVER CP (LATCH TYPE)
30	13-06-04-012	2	SPRING PIN 4 X 12	65	13-08-03-073	1	STEEL RETAINER (LATCH TYPE)
33	43-04-97-C40	1	VALVE CHEST	68	13-15-03-034	2	THROUGH BOLT
34	43-04-95-000	1	VALVE	69	13-08-03-082	2	THROUGH BOLT SPRING
35	43-04-97-C20	1	VALVE SHEAT	70	13-45-04-010	2	THROUGH BOLT NUT
37	13-06-05-008	1	SPRING PIN 5 X 8	(1)	43-04-56-A0A	(1)	HANDLE CP (H)