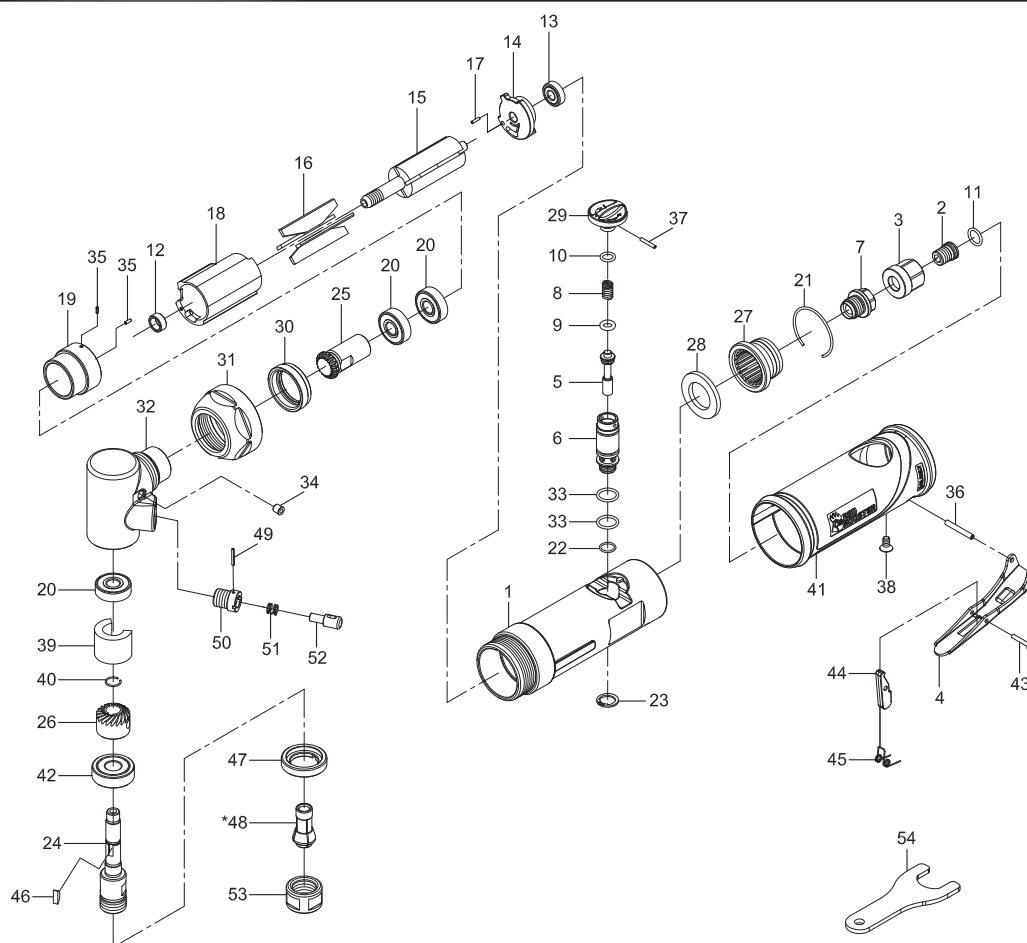


RRG-54190 ANGLE DIE GRINDER



Index No.	Parts No.	Description	Index No.	Parts No.	Description
1	6380A01	Housing	30	52-301B02	Connector Nut
2	51-3011A42	Screw	31	52-301B17	Clamp Nut
3	51-3011A03	Air Inlet	32	528028	Head
4	537004	Throttle Lever	33	OR01007105	O-Ring (2) (10.7x1.5)
5	538005	Valve Shaft	34	56237	Oil Cap
6	538006	Valve	35	30117-22	Spring Pin (2) (1.5x4L)
7	51-3011B41	Fixed Shaft	36	50102	Spring Pin (3x22L)
8	30108	Spring	37	SP02001200	Spring Pin (2x12L)
9	72007	O-Ring (3.9x2.2)	38	5G-321V30	Screw (M4x8L)
10	72804	O-Ring (6.5x1.5)	39	52-301B29	Felt
11	OR00705105	O-Ring (7.5x1.5)	40	52-301B27	Retainer Ring
12	6380A12	Rotor Spacer	41	538052	Grip
13	052213	Ball Bearing (696ZZ)	42	051220	Ball Bearing (6000ZZ)
14	301114	Rear End Plate	43	5G-360V06	Rivet
15	6380A15	Rotor	44	537002	Locker
16	535016	Vane (4)	45	5D-6415S07	Spring
17	30117	Spring Pin (1.5x6L)	46	61535	Key (3x10)
18	535018	Cylinder	47	52-301B26	Clamp Nut
19	6380A19	Front End Plate		51224-11	Collet (1/4")
20	030120	Ball Bearing (3) (608ZZ)		51224-12	Collet (1/8")
21	51229	Retaining Ring	*48	51224-13	Collet (6mm)
22	OR00800100	O-Ring (8x1)		51224-14	Collet (3mm)
23	709112R	Inverted Retaining Ring (ISTW-10)		51224-28	Collet (8mm)
24	528024	Spindle	49	SP01051200	Spring Pin (1.5x12L)
25	52-301B22	Bevel Gear	50	527013	Button Seat
26	528023	Bevel Gear	51	527034	Spring
27	538002	Exhaust Diffuser	52	527012	Spindle Lock Button
28	51250	Damping Material	53	51225	Collet Nut
29	51-3011B10	Air Regulator Knob	54	535013	Spanner (19mm)

*Optional parts

5280-RAM