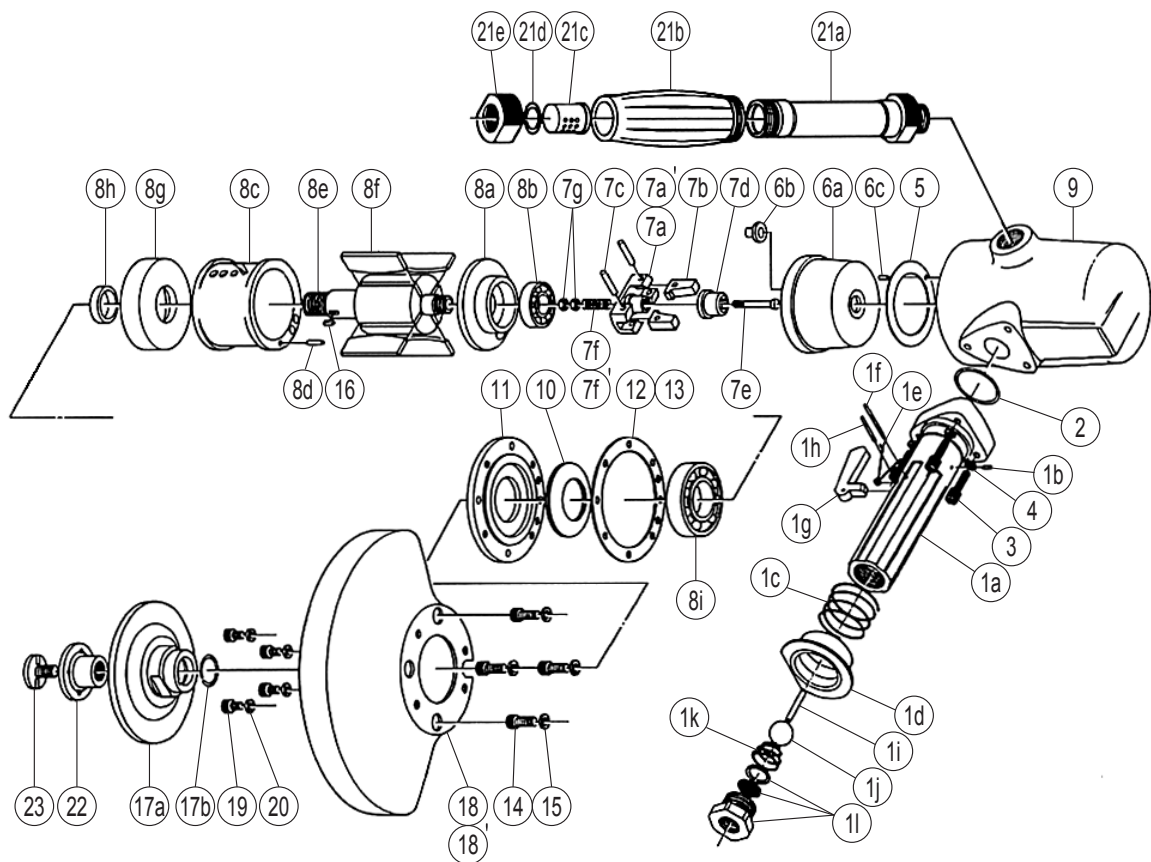


DISC GRINDERS

MODELS (YES.No.)	TOOL No.
7VC-6500FD (00)	1523 0000 0000
7VC-8500FD (00)	1525 0000 0000

Exploded View



Parts List

No.	Name of Parts	Per Set	Parts No.	No.	Name of Parts	Per Set	Parts No.
1	Throttle Body Assy.	1set	1506 0101 00 99	9	Motor Case	1	1523 0011 00 00
	(a) Throttle Body	1	1506 0101 00 00	10	Plate Spring	2	1505 0232 00 00
	(b) Spring Pin (3×6)	1	9250 1043 00 00	11	Motor Case Cover	1	1505 0001 00 00
	(c) Spring (36.5×23)	1	8020 1121 00 00	12*	C-Packing (66×86×0.2)	1	8010 1220 00 00
	(d) Throttle Body Sleeve	1	1422 0132 00 00	13*	C-Packing (66×86×0.3)	1	8010 1221 00 00
	(e) Thorsion Coil Spring	1	1422 0125 00 00	14	Hexagon Socket Bolt(M6×16)	4	8070 3032 00 00
	(f) Spring Pin (3×32)	1	9250 1058 00 00	15	Spring Washer (M6)	4	9200 3006 00 00
	(g) Throttle Lever	1	1422 0110 00 00	16	Key (4×3×7)	1	8060 1034 00 00
	(h) Spring Pin (3×20)	1	9250 1052 00 00	17	Inner Flange Assy.	1set	1422 0653 01 99
	(i) Pin AA (4×23.8)	1	8051 3058 00 00		(a) Inner Flange	1	1422 0653 01 00
	(j) Ball (5/8)	1	9150 4006 00 00		(b) Retaining Ring(19.6×0.7)	1	8030 1023 00 00
(k) Conical Spring (6×18×16)	1	8020 3057 00 00	18	Wheel Cover (B) (9")	1	1506 0662 00 02	
(l) Hose Joint Assy.	1set	1505 0113 01 99	19	Hexagon Socket Bolt (M5×8)	4	8070 3013 00 00	
2	O-Ring (G30)	1	9010 2001 00 00	20	Spring Washer (M5)	4	9200 3005 00 00
3	Hexagon Socket Bolt(M5×22)	3	8070 3068 00 00	21	Dead Handle Assy.	1set	1523 0013 01 99
4	Spring Washer (M5)	3	9200 3005 00 00		(a) Dead Handle	1	1523 0013 00 00
5	S-Packing	1	1506 0003 00 00		(b) Dead Handle Cover	1	1413 0019 00 00
6	Governor Case Assy.	1set	1505 0501 00 99		(c) Exhaust Cover	1	1523 0016 00 00
	(a) Governor Case	1	1505 0501 00 00		(d) O-Ring (S18)	1	9010 4023 00 00
	(b) Governor Bushing	1	1505 0504 00 00	(e) Silencer Nut	1	1515 0054 00 00	
(c) Spring Pin (3×8)	1	9250 1045 00 00	Parts for 7VC-8500FD				
7	Governor Body Assy.	1set	1505 0512 02 99	7'	Governor Body Assy.	1set	1513 0512 02 99
(a) Governor Body	1	1505 0512 00 00	(a) Governor Body		1	1601 0512 01 00	
(b) Governor Weight	2	1601 0513 00 00	(f) Spring (7.9×24.2)		1	8020 1064 00 00	
(c) Spring Pin (4×20)	2	9250 1070 00 00	18'		Wheel Cover (7")	1	1519 0662 00 01
(d) Governor Valve	1	1523 0505 00 00			Standard Accessories		
(e) Governor Rod	1	1505 0507 00 00	22	Outer Flange	1	1508 0654 00 01	
(f) Spring (6.9×25×1.2)	1	8020 1052 00 00	23	Outer Wheel Screw	1	1508 0655 00 00	
(g) Hexagon Nut (M4)	2	9500 1039 00 02		Hose Nipple Assy. (XA-453)	1set	8110 1005 00 99	
8	Motor Assy.	1set	1508 0305 00 99		Spanner (H32)	1	8081 0020 00 00
Upper Plate Assy.	1set	1505 0303 01 99			Twin Wrench (30×12×170)	1	8100 5002 00 00
	(a) Upper Plate	1	1505 0303 01 00		Hex. Wrench (H4)	1	9610 1005 00 00
(b) Ball Bearing (6002VV)	1	9100 3008 00 00					
Cylinder Assy.	1set	1505 0304 00 99					
	(c) Cylinder	1	※ ↑				
(d) Spring Pin (3×14)	1	9250 1049 00 00					
(e) Rotor	1	1508 0305 00 00					
(f) Vane	4	1505 0306 00 00					
Lower Plate Assy.	1set	1505 0307 02 99					
(g) Lower Plate	1	1505 0307 02 00					
(h) Rotor Spacer	1	1505 0310 01 00					
(i) Ball Bearing (6304Z)	1	9100 4010 00 00					

The part "※" can not be supplied individually.
 So please order it as a unit of assembly shown by arrow mark (↑).
 ☆Marked parts; use one of them.