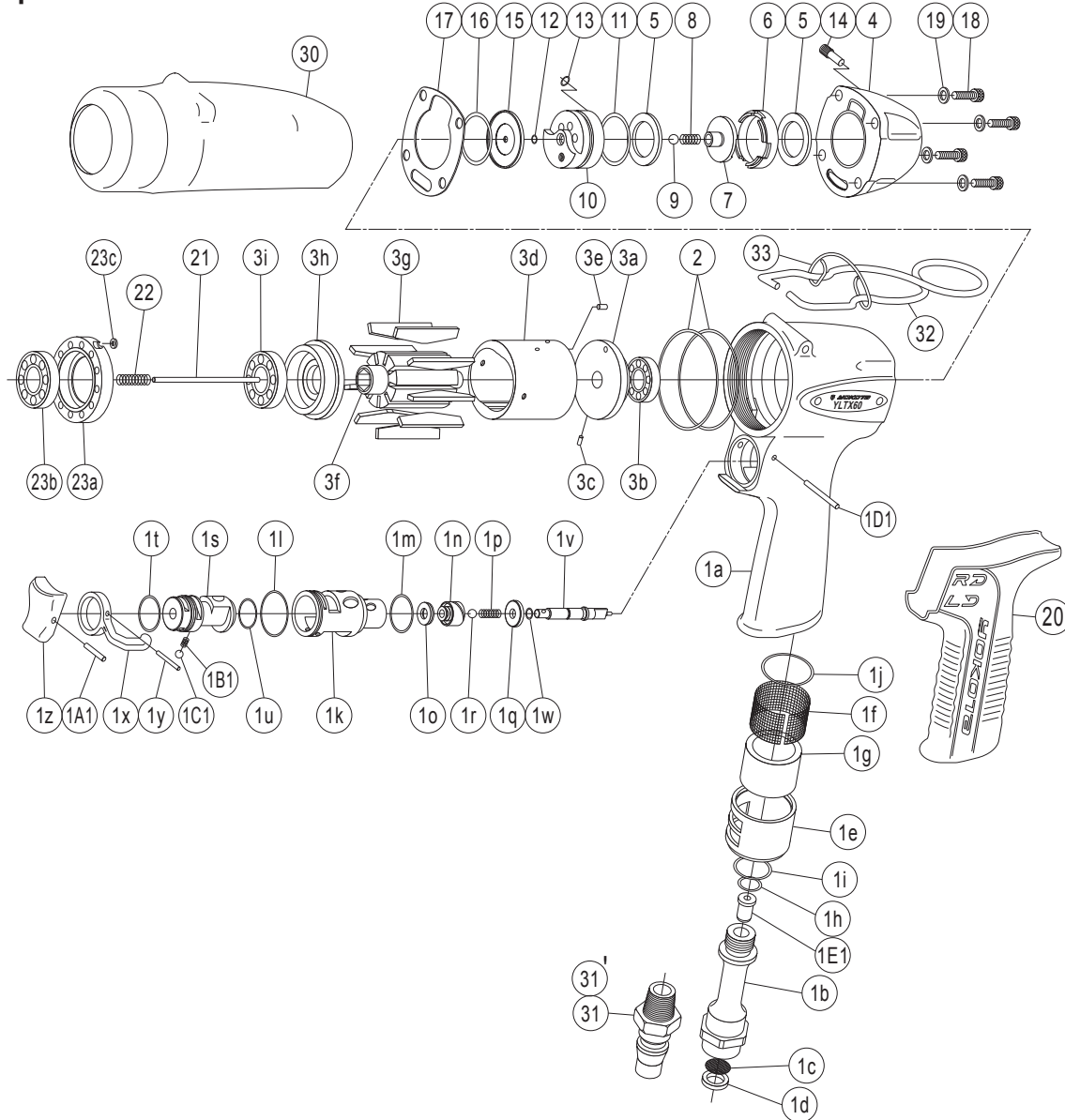


SHUT-OFF IMPULSE WRENCH

MODELS (YES.No.)	TOOL No.
YLTX60 (00)	0390 0000 0000
YLTX60A (00)	0390 0000 0001
YLTX60E (00)	0390 0000 0009

Exploded View of Motor Case



Parts for Motor Case

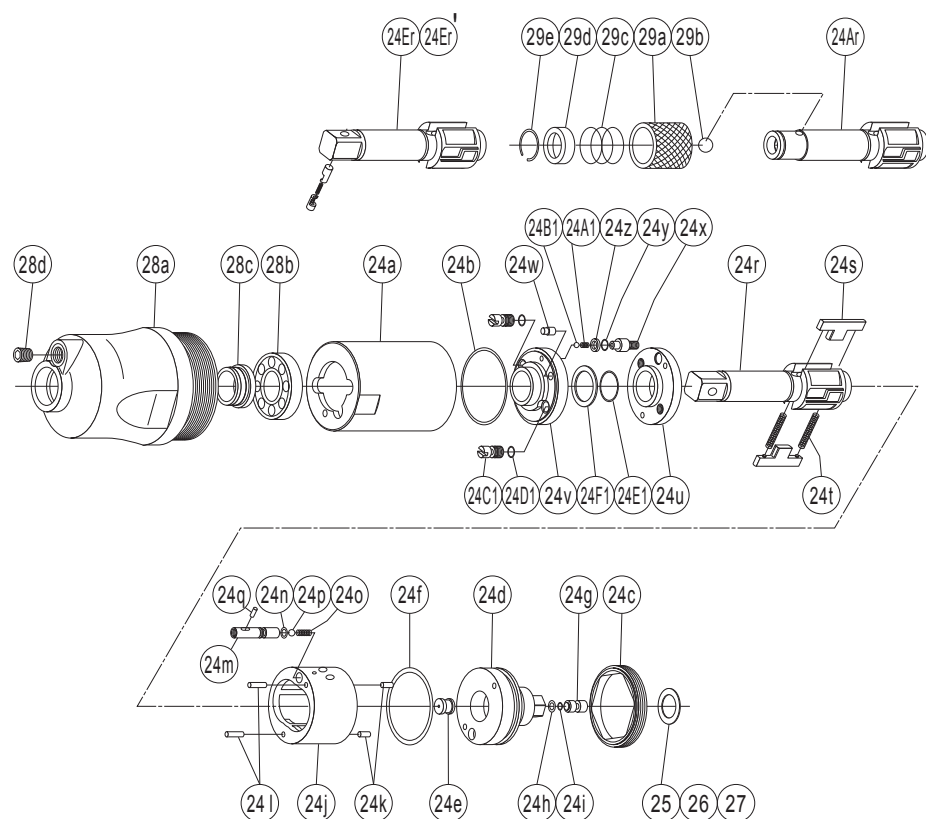
No.	Name of Parts	Per Set	Parts No.	No.	Name of Parts	Per Set	Parts No.
1	Motor Case Assy.	1set	0390 0011 00 99	4	Motor Case Cover	1	0372 0001 00 00
	(a) Motor Case	1	※ ↑	5	Back-up Ring (15×22×1.5)	2	9090 1033 00 00
	Hose Joint Assy.	1set	0181 0113 00 99	6	Buffer Plate	1	0371 0297 01 00
	(b) Hose Joint	1	※ ↑	7	Shut Off Valve	1	0371 0295 02 00
	(c) Strainer	1	0259 0111 00 00	8	Spring (4.05×7.5)	1	8020 1366 00 00
	(d) Washer (7.5×11×2)	1	8042 2008 00 00	9	Ball (4mm)	1	9150 1005 00 00
	(e) Exhaust Cover	1	0379 0016 01 00	10	Shut Off Valve Bushing	1	0371 0296 02 00
	(f) Silencer Sheet (A)	1	0141 0032 00 01	11	O-Ring (1.5×19×22)	1	9010 6062 00 00
	(g) Silencer Sheet	1	0334 0032 00 00	12	O-Ring (N2)	1	9010 4001 00 00
	(h) O-Ring (S10)	1	9010 4004 00 00	13	O-Ring (1.19×1.78×4.16)	1	9010 6074 00 00
	(i) O-Ring (S16)	1	9010 4009 00 00	14	Valve Plug (M4×12)	1	0371 0298 00 00
	(j) O-Ring (1×20×22)	1	9010 6043 00 00	15	Upper Plate Spacer	1	0371 0301 00 00
	Throttle Assy.	1set	0371 0186 00 99	16	O-Ring (1.5×19×22)	1	9010 6062 00 00
	(k) Throttle Bushing	1	0181 0104 00 00	17	S-Packing	1	0372 0003 00 00
	(l) O-Ring (0.7×17.8×19.2)	1	9010 6030 00 00	18	Hexagon Socket Bolt (M4×10)	4	8070 3156 00 00
	(m) O-Ring (S16)	1	9010 4009 00 00	19	Washer (4×6.6×1.2)	4	8041 6016 00 00
	Throttle Valve Assy.	1set	0181 0108 01 99	20	Rubber Grip	1	0188 0144 00 00
	(n) Throttle Valve	1	※ ↑	21	Rod	1	0390 1368 00 00
	(o) Rubber Pad	1	2331 0678 00 00	22	Spring (4.2×20)	1	8020 1410 00 00
	(p) Spring (3.4×9.7)	1	8020 1345 00 00	23	Lower Plate Spacer Assy.	1set	0371 0311 00 99
	(q) Throttle Bushing Cap	1	2331 0160 00 00		(a) Lower Plate Spacer	1	0371 0311 00 00
	(r) Ball (3.5mm)	1	9150 2006 00 00		(b) Ball Bearing (6802)	1	9100 1063 00 00
	(s) Reverse Valve	1	0371 0005 00 00		(c) Washer (WSSB4-2-2)	1	8041 6015 00 00
	(t) O-Ring (0.8×13.5×15.1)	1	9010 6031 00 00	Standard Accessories			
	(u) O-Ring (S12.5)	1	9010 4006 00 00	30	Protector	1	0371 0029 00 00
	(v) Throttle Rod	1	0371 0106 00 00	31*	Touch Joint (20-PM)	1	9690 0002 00 00
	(w) O-Ring (0.5×3.7×4.7)	1	9010 6034 00 00	31'*	Hose Nipple Assy. (XA-352)	1set	8110 1004 00 99
	(x) Reverse Lever	1	2331 0007 00 00	32	Hanger	1	0099 0017 00 00
	(y) Spring Pin (2×12)	1	9250 1015 00 00	33	Hanger Clip	1	0190 1801 00 00
	(z) Throttle Knob	1	0158 0153 00 00		Hex. Wrench (H1.5×65×65)	1	9610 1012 00 00
	(A1) Spring Pin (1.5×14)	1	9250 1005 00 00		Hex. Wrench (H5/32)	1	9610 3008 00 00
	(B1) Spring (3×4)	1	8020 1246 00 00				
	(C1) Ball (1/8)	1	9150 3009 00 00				
	(D1) Pin (2×22)	1	8055 1050 00 00				
	(E1) Bushing	1	0392 0728 00 00				
2	O-Ring (JASO 1033)	2	9011 3004 00 00				
3	Motor Assy.	1set	0371 0305 00 99				
	Upper Plate Assy.	1set	0371 0303 00 99				
	(a) Upper Plate	1	0371 0303 00 00				
	(b) Ball Bearing (607MC2)	1	9102 3003 00 00				
	(c) Pin (1.5×4)	1	8051 1314 00 00				
	Cylinder Assy.	1set	0371 0304 00 99				
	(d) Cylinder	1	※ ↑				
	(e) Pin (2×5)	1	8055 1040 00 00				
	(f) Rotor	1	0371 0305 00 00				
	(g) Vane	9	0371 0306 01 00				
	Lower Plate Assy.	1set	0371 0307 00 99				
	(h) Lower Plate	1	0371 0307 00 00				
	(i) Ball Bearing (6901CM)	1	9102 1003 00 00				

The part "※" can not be supplied individually. So please order it as a unit of assembly shown by arrow mark (↑).
☆marked parts ; use one of them.

SHUT-OFF IMPULSE WRENCH

MODELS (YES.No.)	TOOL No.
YLTX60 (00)	0390 0000 0000
YLTX60A (00)	0390 0000 0001
YLTX60E (00)	0390 0000 0009

Exploded View of Liner Case and Hammer Case



Parts for Liner Case and Hammer Case

No.	Name of Parts	Per Set	Parts No.	No.	Name of Parts	Per Set	Parts No.
24	Liner Case Assy.	1set	0390 0422 00 99	28	Hammer Case Assy.	1set	0371 0401 00 99
	(a) Liner Case	1	0371 0422 00 00		(a) Hammer Case	1	0371 0401 00 00
	(b) O-Ring (1×28.2×30.2)	1	9010 6036 00 00		(b) Ball Bearing (6702)	1	9100 1079 00 00
	(c) Liner Cap	1	0371 0423 00 00		(c) Main Shaft Bushing	1	0371 0612 00 00
	(d) Liner Upper Plate	1	0371 0424 01 00		(d) Socket Plug (1/16-27)	1	8210 4001 00 00
	(e) Liner Upper Plate (A)	1	※ ↑	Parts for YLT60A			
	(f) O-Ring (1.78×26.7×30.26)	1	9011 6064 00 00	24A	Liner Case Assy.	1set	0390 0422 00 98
	(g) Sensor	1	0371 0794 01 00		(r) Main Shaft (A-type)	1	0383 0614 00 51
	(h) O-Ring (0.9×2.73×4.53)	1	9010 6081 00 00	29	Bit Chuck Assy.	1set	2057 0414 00 99
	(i) O-Ring (N2)	1	9011 0013 00 00		(a) Bit Chuck	1	2057 0414 00 00
	Liner Assy.	1set	0371 0425 00 99		(b) Ball (1/8)	1	9150 3009 00 00
	(j) Liner	1	※ ↑		(c) Spring (13.5×10)	1	8020 1340 00 00
	(k) Pin FF (2×4.8)	2	8052 1041 00 00		(d) Spring Washer	1	2331 0419 00 00
	(l) Pin FF (2×7.8)	2	8052 1029 00 00		(e) Retaining Ring (10×1)	1	8030 1009 00 00
	(m) Relief Valve	1	0383 0245 01 00	Parts for YLT60E			
	(n) O-Ring (0.71×2.79×4.21)	1	9010 6049 00 00	24E	Liner Case Assy.	1set	0390 0422 00 95
	(o) Spring (2.3×5.8)	1	8020 1435 00 00		(r) Main Shaft Assy.(E-type)	1set	0383 0614 00 99
	(p) Ball (2.5mm)	1	9150 1002 00 00				
	(q) Pin (1.5×4)	1	8051 1314 00 00				
	(r) Main Shaft	1	0371 0614 00 01				
	(s) Blade	2	0371 0719 00 00				
	(t) Spring (3.1×20)	2	8020 1296 00 00				
	(u) Liner Lower Plate (A)	1	0371 0426 00 01				
	Liner Lower Plate (B) Assy.	1set	0371 0426 00 99				
	(v) Liner Lower Plate (B)	1	0371 0426 00 02				
	(w) Dowel Pin	1	0188 0308 00 00				
	(x) Adjust Bolt	1	0371 0522 00 00				
	(y) O-Ring (N2)	1	9010 4001 00 00				
	(z) Back-up Ring (3.2×5×1)	1	9090 1028 00 00				
	(A1) Spring (1.9×2.5)	1	8020 1365 00 00				
	(B1) Ball (2mm)	1	9150 1001 00 00				
	(C1) Oil Plug	2	0181 0010 00 00				
	(D1) O-Ring (N2)	2	9010 4001 00 00				
	(E1) O-Ring (P12)	1	9011 7001 00 00				
	(F1) Back-up Ring (12×16×0.8)	1	9090 1010 00 00				
25*	ST-Packing (9.3×14×0.1)	1	8011 1023 00 00				
26*	ST-Packing (9.3×14×0.2)	1	8011 1024 00 00				
27*	ST-Packing (9.3×14×0.3)	1	8011 1025 00 00				

The part "※" can not be supplied individually. So please order it as a unit of assembly shown by arrow mark (↑).
 ☆marked parts ; use one of them.