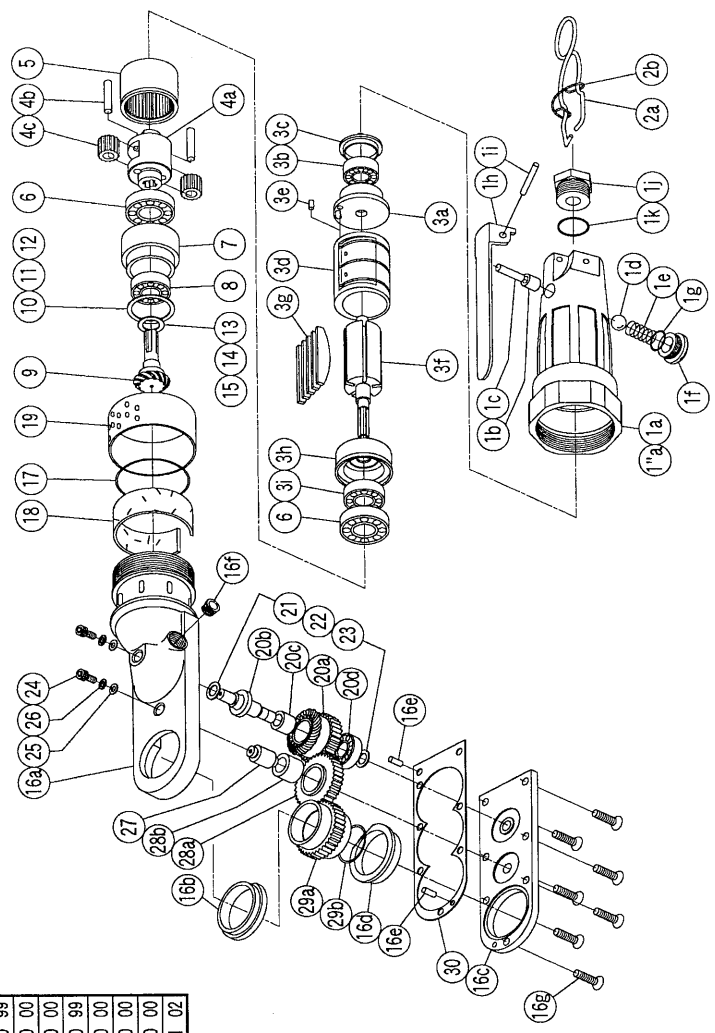


PORTABLE ELECTRODE TIP DRESSER & NUTRUNNER

MODEL (YES.No.)	TOOL No.
YNR-8F (07)	4003 0000 0700
YNR-8F-C (07)	4003 0000 0703
YNR-8F-D (07)	4003 0000 0704
YNR-8FN (07)	4003 0000 0714

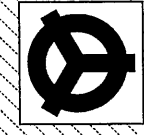
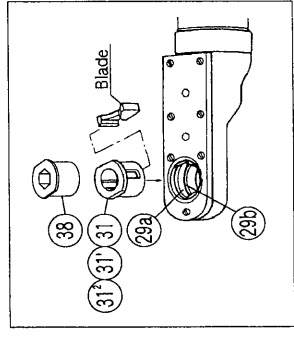
Exploded View



Parts for List

No.	Name of Parts	Per Set	Parts No.
1	Motor Case Assy.	1set	4003 0011 01 99
	(a) Motor Case	1	1701 0104 00 00
	(b) Throttle Bushing (4X18.8)	1	8051 1313 00 00
	(c) Pin (3/8)	1	9150 4005 00 00
	(d) Ball (8X16)	1	8020 1066 00 00
	(e) Spring	1set	0004 0107 01 99
	Throttle Cap Assy.	1	※
	(f) Throttle Cap	1	※
	(g) O-Ring (P11)	1	9010 1010 00 00
	(h) Throttle Lever	1	0004 0110 01 00
	(i) Throttle Lever Shaft	1	6206 0158 00 00
	Hose Joint Assy.	1set	4008 0113 00 99
	(j) Hose Joint (N15)	1	4008 0113 02 00
	(k) O-Ring	1	9010 4008 00 00
	(l) Hanger	1	0950 0017 00 00
	(m) Hanger Clip	1	0089 1801 00 00
2	Motor Assy.	1set	4003 0305 02 99
	Upper Plate Assy.	1set	4008 0303 01 99
	(a) Upper Plate (626)	1	4008 0303 01 00
	(b) Ball Bearing	1	9100 1007 00 00
	(c) Plate Cap	1	4008 0302 01 00
	Cylinder Assy.	1set	3001 0304 01 99
	(d) Cylinder	1	※
	(e) Spring Pin (2.5X5)	1	9250 1029 00 00
	(f) Rotor	1	4003 0305 01 00
	(g) Vane	5	2101 0306 01 00
	Lower Plate Assy.	1set	4003 0307 01 99
	(h) Lower Plate	1	4003 0307 01 00
	(i) Ball Bearing (608)	1	9100 1004 00 00
	Planet Frame Assy.	1set	4003 0604 02 99
	(a) Planet Frame	1	4003 0604 01 00
	(b) Pin (4X20)	2	8051 1145 00 00
	(c) Planet Gear	2	4003 0607 01 00
5	Internal Gear	2	9100 6003 00 00
6	Ball Bearing (EE4)	2	4003 0624 00 00
7	Bearing Spacer	1	9100 1009 00 00
8	Ball Bearing (629)	1	4003 0615 01 00
9	Main Shaft Bevel Gear	1	8003 0800 00 00
★ 10	C-Packing (21X25.5X0.1)	1	8010 1080 00 00
★ 11	C-Packing (21X25.5X0.2)	1	8010 1081 00 00
★ 12	C-Packing (21X25.5X0.3)	1	8010 1082 00 00
★ 13	ST-Packing (9.2X14X0.1)	1	8011 1023 00 00
★ 14	ST-Packing (9.2X14X0.2)	1	8011 1024 00 00
★ 15	ST-Packing (9.2X14X0.3)	1	8011 1025 00 00
16	Gear Case Assy.	1set	4003 0603 05 99
	(a) Gear Case	1	※
	(b) Chuck Gear Spacer (A)	1	※
	(c) Gear Case Cap	1	※
	(d) Chuck Gear Spacer (B)	1	※
	(e) Pin (3X8)	2	8051 1093 00 00
	(f) Socket Plug (PT1/8GM)	1	8210 2001 00 00
	(g) Cross Recessed Screw (M4X14)	7	9440 2006 00 00

The part "※" can not be supplied individually.
 So please order it as a unit of assembly shown by arrow mark (↑).
 ★ Marked parts may not be used, in some case.



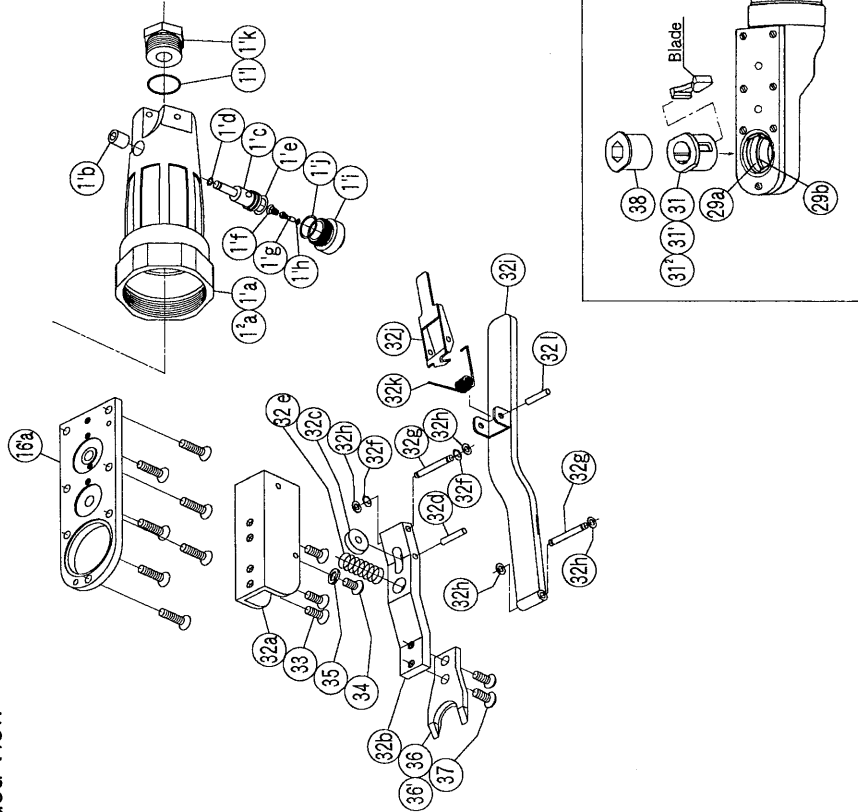
YOKOTA EUROPA BV

De Ruijterkade 128, 1011 AB Amsterdam, Netherlands. PH04E-020-5318800 FAX 020-5318808
 e-mail: info@impulsetools.com, http://www.impulsetools.com
 Hydraulic, Impulse, Wrenches, Impact Wrenches, Drills, Grinders, Screw Drivers, Chippers, Scales, Pumps.

PORTABLE ELECTRODE TIP DRESSER & NUTRUNNER

MODEL (YES.No.)	TOOL No.
YNR-8F (07)	4003 0000 0700
YNR-8F-C (07)	4003 0000 0703
YNR-8F-D (07)	4003 0000 0704
YNR-8FN (07)	4003 0000 0714

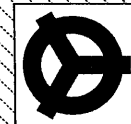
Exploded View



Parts List

No.	Name of Parts	Per Set	Parts No.	No.	Name of Parts	Per Set	Parts No.		
1'	Parts for YNR-8F-C								
		Motor Case Assy.	1set	4003 0011 00 95		Parts for YNR-8F-D			
	(a)	Motor Case	1	※ ↑	(a)	Motor Case Assy.	1set	4003 0011 00 94	
	(b)	Throttle Bushing	1	1701 0104 00 00		(a) Motor Case	1	※ ↑	
	Main Valve Assy.								
	(c)	Main Valve	1set	4003 0803 00 99		Cramp Assy.	1set	4003 1392 00 96	
	(d)	O - Ring (0.71X2.79X4.21)	1	9010 6049 00 00		Cramp Plate	(13)	4003 1388 00 02	
	(e)	O - Ring (1.6X7.1X10.3)	1	9010 6050 00 00		Holder Type 13	1	4003 0900 00 24	
	(f)	Conical Spring (2.8X5X6.5)	1	8020 3069 00 00	Parts for YNR-8FN				
	(g)	Throttle Valve Assy.	1set	4003 0108 00 99		Motor Case Assy.	1set	4003 0011 01 98	
	(h)	Throttle Valve	1	4003 0108 00 00		(a) Motor Case	1	※ ↑	
	(i)	O - Ring (0.8X1.5X3.1)	1	9010 6051 00 00		Box Spanner (H14)	1	8081 3001 00 00	
		Throttle Cap Assy.	1set	4003 0107 00 99	Standard Accessory				
	(j)	Throttle Cap	1	4003 0107 00 00		Touch Joint (1/4-02)	1	9690 0002 00 00	
	(k)	O - Ring (JASO 1012)	1	9011 3005 00 00		Optional Accessory			
	Hose Joint Assy.								
(l)	Hose Joint	1set	4008 0113 00 99		Holder Type 11	1	4003 0717 00 01		
16'	Gear Case Assy.								
	(a)	Gear Case	1	※ ↑					
	(b)	Chuck Gear Spacer (A)	1	※ ↑					
	(c)	Gear Case Cap (A)	1	※ ↑					
	(d)	Chuck Gear Spacer (B)	1	※ ↑					
	(e)	Pin (3 X 8)	2	8051 1093 00 00					
	(f)	Socket Plug (PTT/8GM)	1	8210 2001 00 00					
	(g)	Cross Recessed Screw (M4X14)	7	9440 2006 00 00					
	Cramp Assy.								
			1set	4003 1392 00 97					
	32	Base Plate Assy.							
		(a)	Base Plate	1set	4003 0910 00 98				
		(b)	Cramp Arm	1	4003 1389 00 00				
		(c)	Roller	1	4003 1391 00 00				
		(d)	Pin (3 X 15.8)	1	8051 1276 00 00				
		(e)	Spring (8.6 X 25)	1	8020 1341 00 00				
(f)		ST - Packing (3.2 X 6 X 0.2)	2	8011 1102 00 00					
(g)		Lever Shaft	2	4003 0118 00 00					
(h)		Snap Ring (TYPE E (C)2.4)	4	9041 4001 00 00					
Cramp Lever Assy.									
(i)		Cramp Lever	1set	4003 1390 00 98					
(j)		Valve Plate	1	4003 1390 00 00					
(k)		Torsion Coil Spring	1	4003 0125 00 00					
(l)		Spring Pin (3 X 18)	1	9250 1051 00 00					
33		Cross Recessed Screw (M4 X 8)	3	9440 2020 00 00					
34		Cross Recessed Screw (M4 X 8)	1	9410 2030 00 00					
35	Spring Washer (M4)	1	9200 2004 00 00						
36	Cramp Plate (16)	1	4003 1388 00 01						
37	Cross Recessed Screw (M5 X 10)	2	9410 2031 00 00						

The part "※" can not be supplied individually.
So please order it as a unit of assembly shown by arrow mark (↑).



YOKOTA EUROPA BV

De Ruijterkade 120, 1011AB Amsterdam, Netherlands. PHONE 020-5518800 FAX 020-5378808
E-mail: info@impulsetools.com <http://www.impulsetools.com>

Hydraulic Impulse Wrenches, Drills, Grinders, Scribe Drivers, Chippers, Scalers, Pumps.