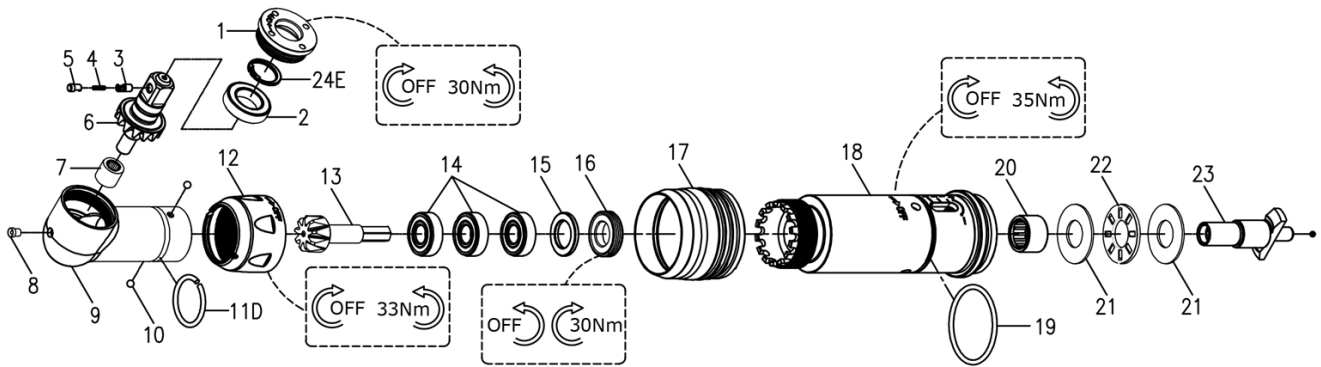


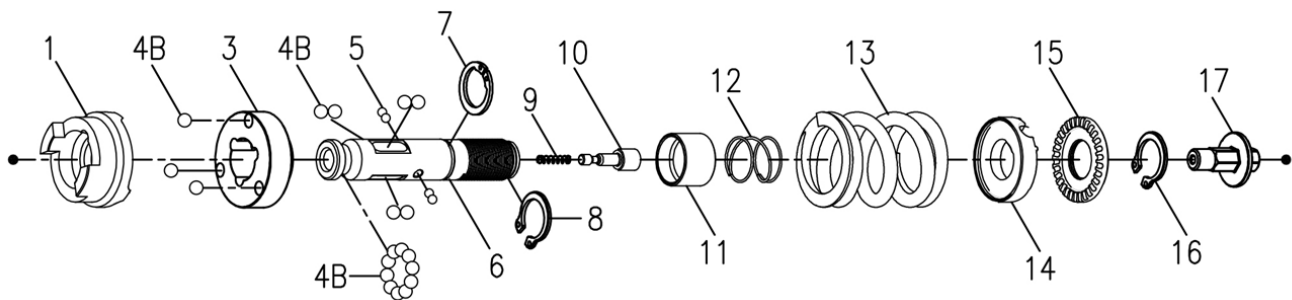
# RRI-SA30315W SHUT-OFF SCREWDRIVER



## Angle Housing Units & Clutch Housing

Index No.	Part No.	Description	Q'ty
	<b>220-BS30RX-7001-2000</b>	<b>Angle H. Units (Index No.1-16)</b>	<b>1</b>
1	BS30R-160-706	Lock Nut	1
24E	000-3012I	Inv. Ret. Ring (ISTW-12)	1
2	00-2352	Ball Bearing (6801ZZ)	1
3	I40S-463-B	Lower Pin	1
4	I40S-464	Spring	1
5	I40S-462-B	Upper Pin	1
6	BS30RX-160-730B	Bevel Gear Assy. (3/8" SQ)	1
7	00-2418	Needle Bearing (BK0609)	1
8	00-4603	Grease Fitting (1/8")	1
9	BS30R-160-701	Angle Housing	1
10	00-3826	Steel Ball (Ø3)	2
11D	CS20R-708B	Collar	1

Index No.	Part No.	Description	Q'ty
12	BS30R-160-702	Lock Nut	1
13	BS30RW-160-704B	Main Bevel Gear	1
14	00-2372	Ball Bearing (698Z)	3
15	BS20R-300-487B	Washer	1
16	CS30R-709	Lock Nut	1
17	B30S-207	Adjusting Cover	1
18	BS30R-160-201#L1	Clutch Housing	1
19	00-4174	O-Ring (Ø31xØ1.5)	1
20	00-2415	Needle Bearing (HK1210)	1
21	00-1516	Washer (Ø12xØ26x1t)	2
22	00-2805	Roller Bearing (NTB1226)	1
23	B30R-405	Anvil	1

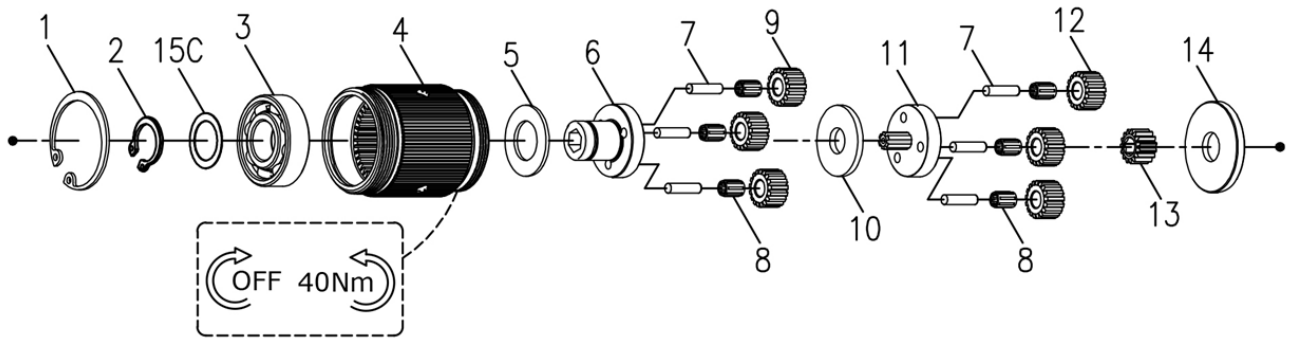


## Clutch Units

Index No.	Part No.	Description	Q'ty
	<b>220-BD30S-4016-1000</b>	<b>Clutch Units (Index No.1-16)</b>	<b>1</b>
1	BD30S-425	Clutch Ring	1
3	BD30S-433	Spring Seat	1
4B	00-3815	Steel Ball (5/32")	19
5	00-3835	Steel Ball (Ø2.5)	4
6	B30S-416	Transmission Shaft	1
7	000-3012I	Snap Ring (ISTW-12)	1
8	00-3516	Snap Ring (STW-11)	1
9	B30-524	Spring	1

Index No.	Part No.	Description	Q'ty
10	B30S-527	Piston	1
11	B30S-449	Control Ring	1
12	B30S-427	Spring	1
13	BD30S-429	Spring (Ø4)	1
14	B30S-431	Adjusting Lock Ring	1
15	BD40S-430	Adjusting Nut	1
16	00-3507	Snap Ring (S12)	1
17	B30S-421	Connecting Shaft	1

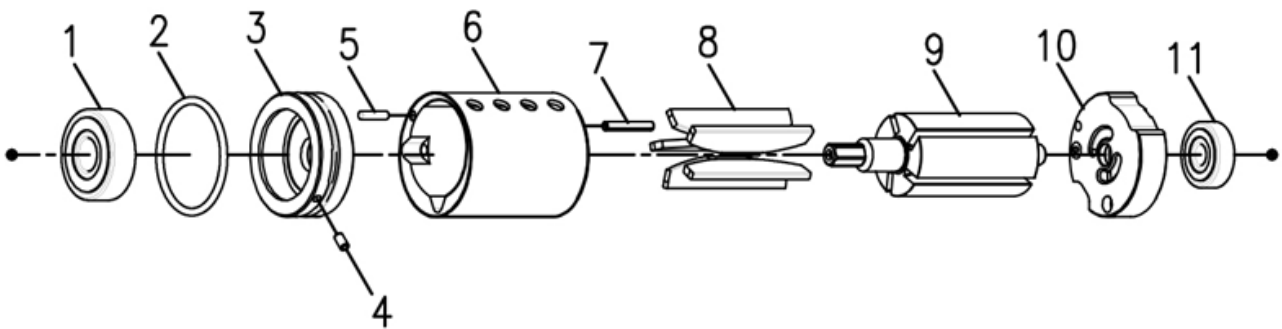
# RRI-SA30315W SHUT-OFF SCREWDRIVER



## Gear Box Units

Index No.	Part No.	Description	Q'ty
	<b>220-BD30SL-4040-2000</b>	<b>Gear Box Units</b>	<b>1</b>
1	00-3113	Snap Ring (R28)	1
2	00-3507	Snap Ring (S12)	1
15C	BD15S-441	Washer	1
3	00-2305A	Ball Bearing (6001)	1
4	BS30R-160-440	Internal Gear	1
5	C20S-441	Washer	1
6	BS30SL-442B	Front Gear Cage	1

Index No.	Part No.	Description	Q'ty
7	00-3408	Pin (Ø3x12L)	6
8	00-2422	Needle Bearing (K3x5x7-TV)	6
9	BS30SL-443C	Plant Gear C	3
10	BS30SL-444C	Washer	1
11	BS30SL-452C	Rear Gear Cage Assy.	1
12	BS30SL-443B	Plant Gear B	3
13	BS30SL-447B	Rotor Gear	1
14	C30S-448	Rear Cover	1

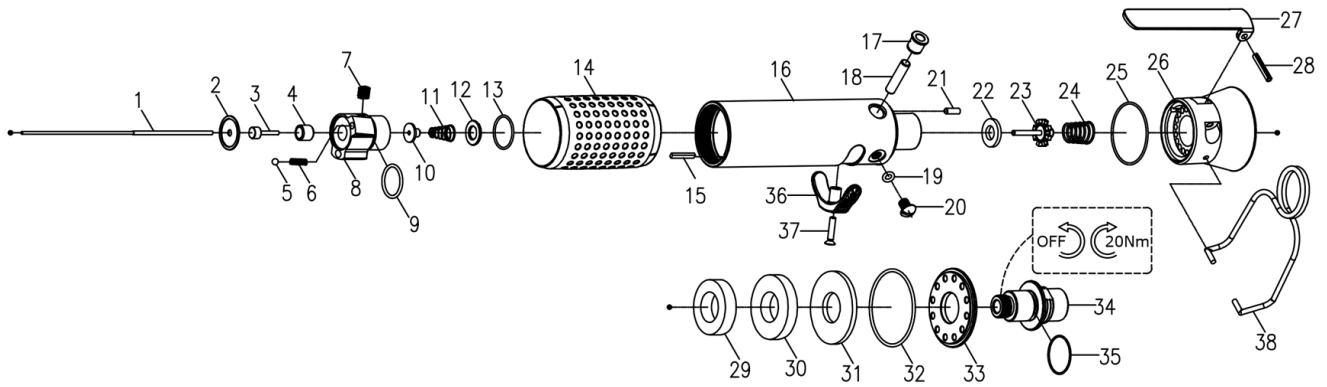


## Motor Units

Index No.	Part No.	Description	Q'ty
	<b>220-BD30SL-3003-1000</b>	<b>Motor Units</b>	<b>1</b>
1	00-2332	Ball Bearing (608ZZ)	1
2	00-41177	O-Ring (Ø25.12xØ1.78)	1
3	B20S-301	Front Plate	1
4	00-3328	Spring Pin (Ø2x4L)	1
5	00-3430	Pin (Ø2x8L)	1

Index No.	Part No.	Description	Q'ty
6	C30S-302	Cylinder	1
7	00-3447	Pin (Ø2x12L)	1
8	BD30S-304D	Rotor Blade	5
9	BS30SL-303B	Rotor	1
10	C30S-305	Rear End Plate	1
11	00-2355	Ball Bearing (625Z)	1

# RRI-SA30315W SHUT-OFF SCREWDRIVER



## Reverse Valve Units & Motor Housing Units

Index No.	Part No.	Description	Q'ty
1	BS30SL-160-314	Valve Stem	1
	<b>220-CS30SL-5002-1000</b>	<b>Rev. Valve Units (Index No.2~12)</b>	<b>1</b>
2	C30SL-525	Washer	1
3	CS30SL-527	Piston	1
4	C20SL-526	Guide Ring	1
5	00-3805	Steel Ball (1/8")	1
6	305F-034	Spring	1
7	00-0606	Screw (M6x6L)	1
8	C30SL-502	Reverse Valve	1
9	00-41117	O-Ring (Ø15xØ1.5)	1
10	CS30SL-514	Shut Block	1
11	CS20SL-515	Spring	1
12	C30SL-533	Washer	1
13	00-41217	O-Ring (Ø16xØ1)	1
14	B20S-103	Housing Rubber	1
15	BD40S-037	Seal Lump	1
	<b>220-BD30SL-1001-1000</b>	<b>Motor H. Units (Index No.16~35)</b>	<b>1</b>
16	B30SL-101	Motor Housing	1
17	I40S-509	Bushing	1
18	IS40S-510	Pin	1
19	00-41156	O-Ring (Ø3.5xØ1.5)	1

Index No.	Part No.	Description	Q'ty
20	00-1304	Screw (M5x6L)	1
21	00-3448	Pin (Ø2.5x8L)	1
22	I40S-508	Bushing	1
23	305C-021	Valve Stem	1
24	C30S-515	Spring	1
25	00-41223	O-Ring (Ø31xØ1)	1
26	B30SL-603	Exhaust Deflector	1
27	BD30SL-504	Trigger	1
28	00-3308	Spring Pin (Ø3x18L)	1
29	B30S-601A	Muffler	1
30	B30S-601B	Muffler	1
31	B30S-601C	Muffler	1
32	00-41224	O-Ring (Ø38xØ1.5)	1
33	B30S-608	Deflector Cap	1
	B30S-604A	Air Inlet (1/4"PF-19)	
34	B30S-604B	Air Inlet (1/4"PT-19)	1
	B30S-604C	Air Inlet (1/4"NPT-18)	
35	00-41111	O-Ring (Ø16xØ1.5)	1
36	C30S-503	Reverse Knob	1
37	00-0509	Screw (M3x16L)	1
38	B20S-102	Hanger	1