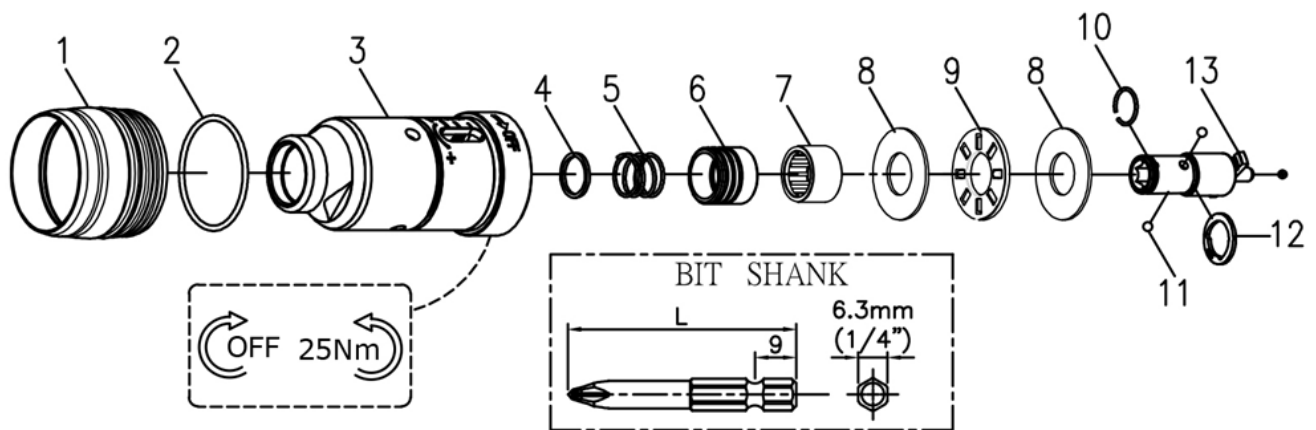


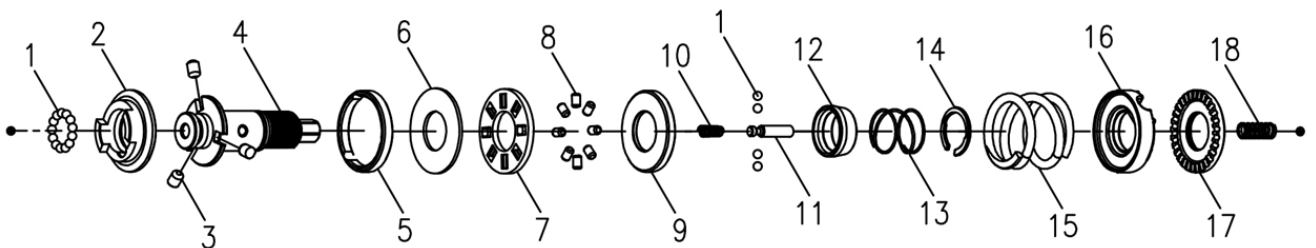
RRI-SD11203 SHUT-OFF SCREWDRIVER



Clutch Housing & Anvil Units

Index No.	Part No.	Description	Q'ty
1	B20S-207	Adjusting Cover	1
2	00-4151	O-Ring (Ø25.63xØ1.6)	1
3	BD15S-201#L1	Clutch Housing	1
	220-BD20P-4005-1000	Anvil Units (Index No.4~13)	1
4	B20S-415	Spring Washer	1
5	B20S-418	Spring	1
6	B20S-417	Quick Change Holder	1

Index No.	Part No.	Description	Q'ty
7	00-2415	Needle Bearing (HK1210)	1
8	00-1516	Plain Washer (Ø12xØ26x1t)	2
9	00-2805	Roller Bearing (NTB1226)	1
10	B20S-428B	Anvil Collar B	1
11	00-3835	Steel Ball (Ø2.5)	2
12	00-4802	Snap Ring (IS11)	1
13	B20S-405	Anvil	1

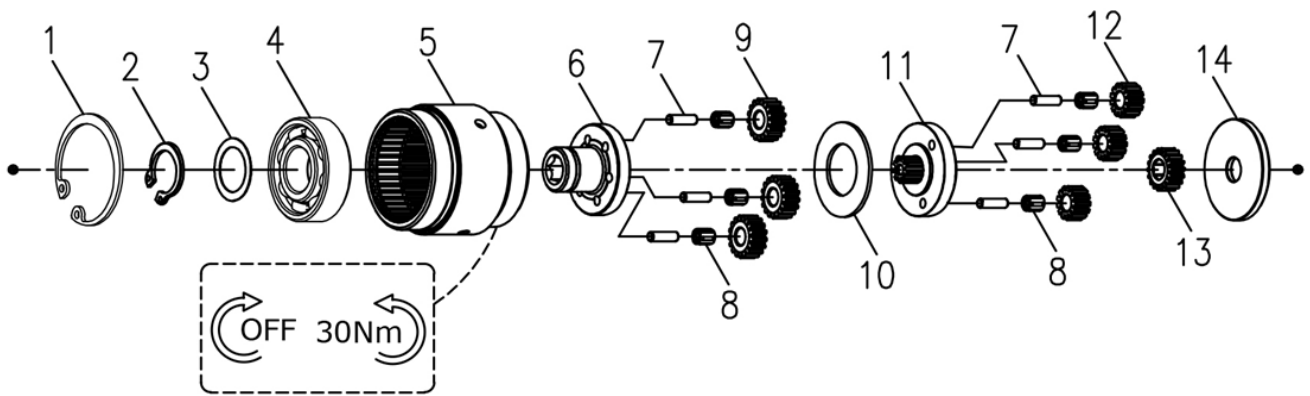


Clutch Units

Index No.	Part No.	Description	Q'ty
	220-BD15S-4016-3000	Clutch Units (Index No.1~17)	1
1	00-3835	Steel Ball (Ø2.5)	17
2	B20S-425	Clutch Ring	1
3	B20S-426	Ejector Pin	3
4	BD15S-416	Transmission Shaft	1
5	B20S-424	Ejector Ring	1
6	00-1516	Plain Washer (Ø12xØ26x1t)	1
7	B20S-410	Washer	1
8	00-3471	Pin (Ø2.5x4L)	8
9	B20S-433	Spring Seat	1

Index No.	Part No.	Description	Q'ty
10	BD15S-524	Spring	1
11	BD15S-527	Piston	1
12	B20S-449	Control Ring	1
13	B30S-427	Spring	1
14	B20S-428C	Anvil Collar	1
15	B20S-429	Spring (Ø3)	
16	B20S-431	Adjusting Lock Ring	1
17	B30S-430	Adjusting Nut	1
18	C20S-450	Spring	1

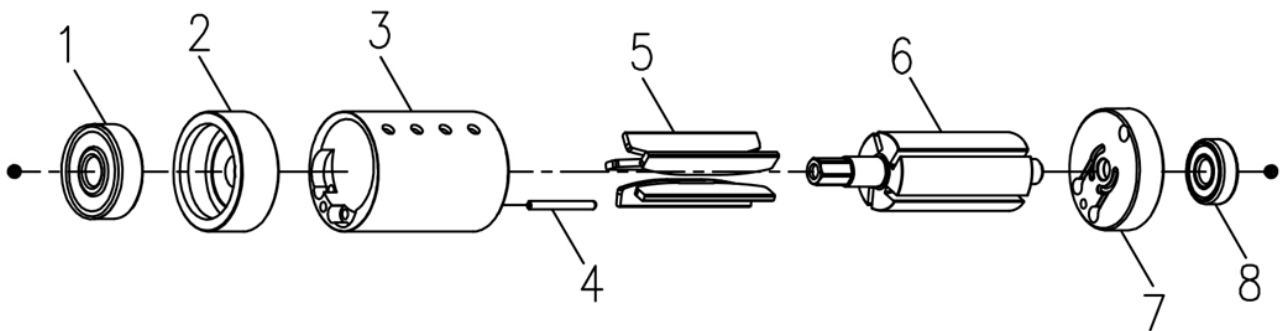
RRI-SD11203 SHUT-OFF SCREWDRIVER



Gear Box Units

Index No.	Part No.	Description	Q'ty
	220-BD15S-4040-3000	Gear Box Units	1
1	00-3113	Snap Ring (R28)	1
2	00-3507	Snap Ring (S12)	1
3	BD15S-441	Washer	1
4	00-2305A	Ball Bearing (6001)	1
5	BD15S-440	Internal Gear	1
6	BD15S-442B	Front Gear Cage B	1
7	00-3484	Pin (Ø2.5x8.8L)	6

Index No.	Part No.	Description	Q'ty
8	00-2425	Needle Bear. (Ø2.5xØ4.5x5L)	6
9	BD15S-443A	Plant Gear A	3
10	BD15S-444	Washer	1
11	BD15S-452C	Rear Gear Cage Assy.	1
12	BD15S-443A	Plant Gear A	3
13	BD15S-447	Rotor Gear	1
14	BD15S-448	Rear Cover	1

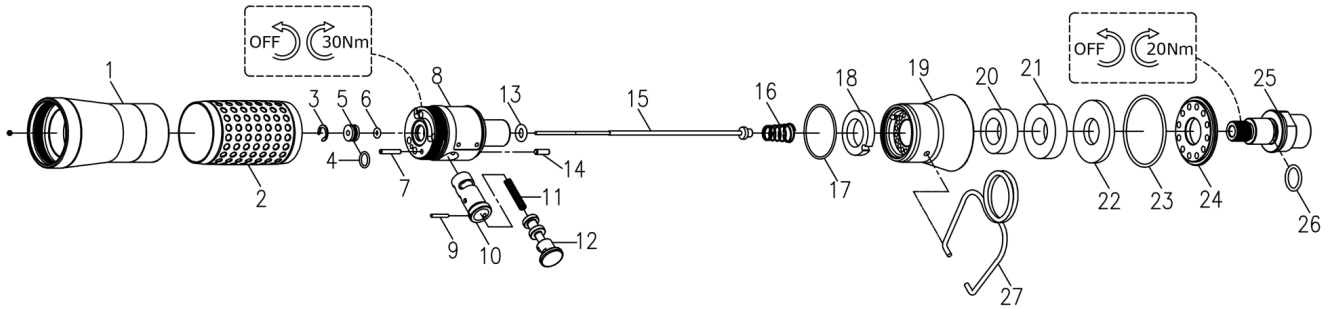


Motor Units

Index No.	Part No.	Description	Q'ty
	220-BD15S-3003-1000	Motor Units	1
1	00-2323	Ball Bearing (626ZZ)	1
2	C10S-301	Front Plate	1
3	BD15S-302	Cylinder	1
4	00-3362	Spring Pin (Ø1.5x16L)	1

Index No.	Part No.	Description	Q'ty
5	BD15S-304D	Rotor Blade	5
6	BD15S-303	Rotor	1
7	C10S-305	Rear End Plate	1
8	00-2370	Ball Bearing (695Z)	1

RRI-SD11203 SHUT-OFF SCREWDRIVER



Reverse Valve Units & Motor Housing

Index No.	Part No.	Description	Q'ty
1	BD15SL-101	Motor Housing	1
2	B10S-103	Housing Rubber	1
	220-CS10S-5018-1000	Valve Cage Units (Index No.3~13)	1
3	00-3115	Snap Ring (R8)	1
4	00-41189	O-Ring (Ø6xØ1)	1
5	C20S-526	Guide Ring	1
6	00-41113	O-Ring (Ø2xØ1.5)	1
7	00-3447	Pin (Ø2x12L)	1
8	C10S-518	Cage	1
9	00-3366	Spring Pin (Ø1.5x10L)	1
10	C10S-501	Valve Sleeve	1
11	C20S-528	Spring	1
12	C10S-502	F/R Valve	1
13	00-41176	O-Ring (Ø4.5xØ2)	1
14	00-3448	Pin (Ø2.5x8L)	1

Index No.	Part No.	Description	Q'ty
15	BD15S-314	Valve Stem	1
16	CD15S-515	Spring	1
17	00-41225	O-Ring (Ø25xØ1)	1
18	C10S-601	Muffler	1
19	B10S-603	Exhaust Deflector	1
20	B10S-601A	Muffler	1
21	B10S-601B	Muffler	1
22	B10S-601C	Muffler	1
23	00-4174	O-Ring (Ø31xØ1.5)	1
24	B10S-608	Deflector cap	1
	B10S-604A	Air Inlet (1/4"-PF19)	
25	B10S-604B	Air Inlet (1/4"-PT19)	1
	B10S-604C	Air Inlet (1/4"-NPT18)	
26	00-4157	O-Ring (Ø10xØ1.5)	1
27	B20S-102	Hanger	1