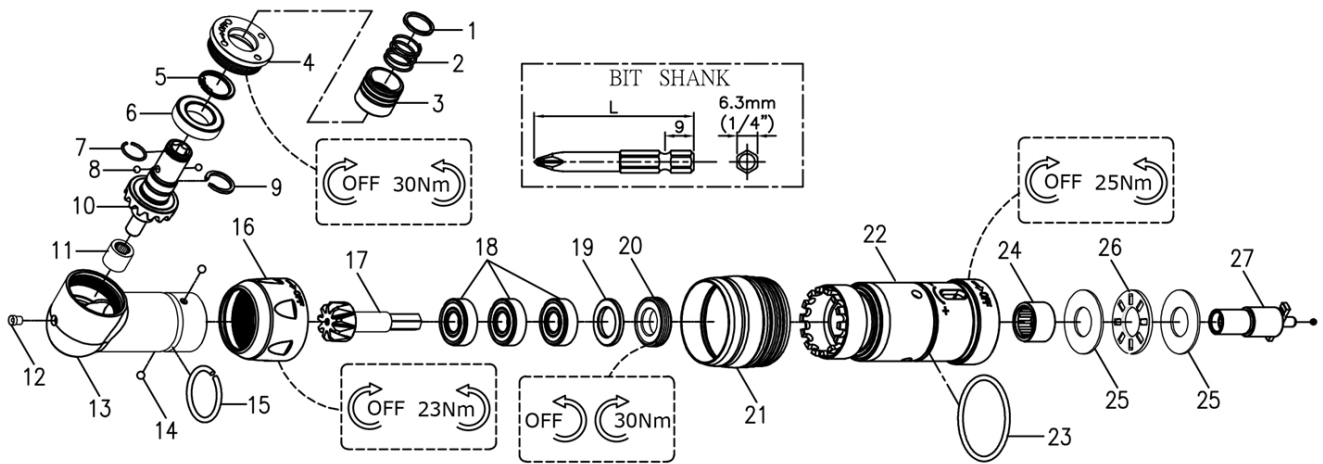


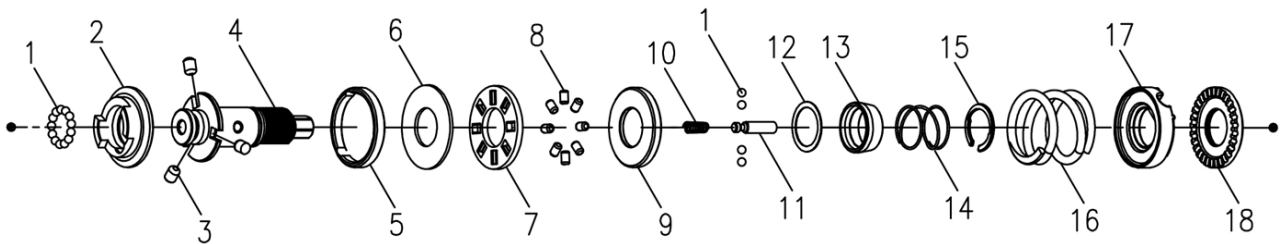
# RRI-SA10505 SHUT-OFF SCREWDRIVER



## Angle Housing Units & Clutch Housing

Index No.	Part No.	Description	Q'ty
	<b>220-BD20RQ-7001-1000</b>	<b>Angle H. Units (Index No.1-20)</b>	<b>1</b>
1	B20S-415	Spring Washer	1
2	B20S-418	Spring	1
3	B20S-417	Quick Change Holder	1
4	BS30R-160-706	Lock Nut	1
5	000-3012I	Inv. Ret. Ring (ISTW-12)	1
6	00-2352	Ball Bearing (6801ZZ)	1
7	B20S-428B	Anvil Collar B	1
8	00-3835	Steel Ball (Ø2.5)	2
9	B20S-428A	Anvil Collar A (1/8")	1
10	B30RQ-730B	Bevel Gear Assy. (1/4" Hex)	1
11	00-2418	Needle Bearing (BK0609)	1
12	00-4603	Grease Fitting (1/8")	1
13	BS30R-160-701	Angle Housing	1

Index No.	Part No.	Description	Q'ty
14	00-3826	Steel Ball (Ø3)	2
15	CS20R-708B	Collar	1
16	BD20R-702	Lock Nut	1
17	BS30RW-160-704B	Main Bevel Gear	1
18	00-2372	Ball Bearing (698Z)	3
19	BS20R-300-487B	Washer	1
20	CS30R-709	Lock Nut	1
21	B20S-207	Adjusting Cover	1
22	BS20R-300-201#L1	Clutch Housing	1
23	00-4151	O-Ring (Ø25.63xØ1.6)	1
24	00-2415	Needle Bearing (HK1210)	1
25	00-1516	Washer (Ø12xØ26x1t)	2
26	00-2805	Roller Bearing (NTB1226)	1
27	B20R-405	Anvil	1

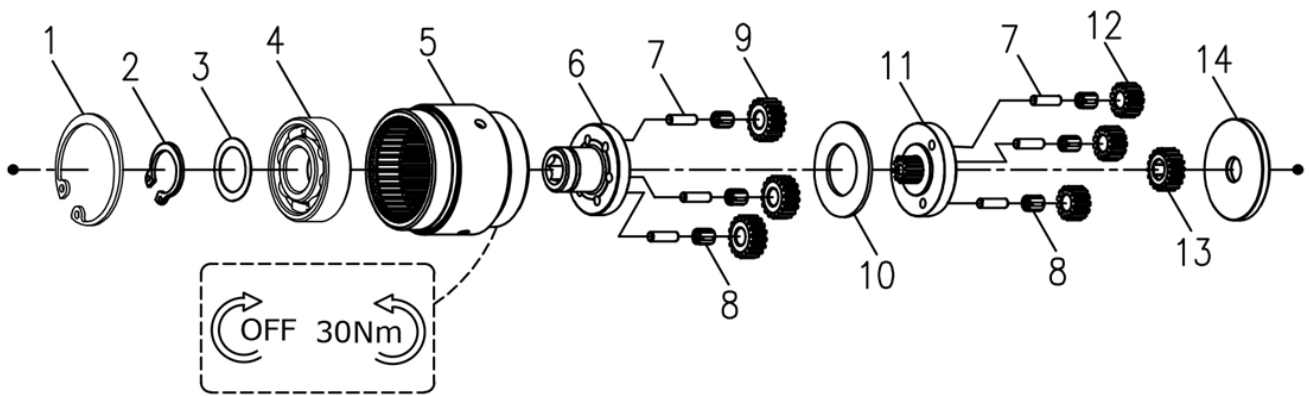


## Clutch Units

Index No.	Part No.	Description	Q'ty
	<b>220-BD15S-4016-1000</b>	<b>Clutch Units</b>	<b>1</b>
1	00-3835	Steel Ball (Ø2.5)	17
2	B20S-425	Clutch Ring	1
3	B20S-426	Ejector Pin	3
4	BD15S-416	Transmission Shaft	1
5	B20S-424	Ejector Ring	1
6	00-1516	Plain Washer (Ø12xØ26x1t)	1
7	B20S-410	Washer	1
8	00-3471	Pin (Ø2.5x4L)	8
9	B20S-433	Spring Seat	1

Index No.	Part No.	Description	Q'ty
10	BD15S-524	Spring	1
11	BD15S-527	Piston	1
12	BD15S-490	Washer	1
13	B20S-449	Control Ring	1
14	B30S-427	Spring	1
15	B20S-428C	Anvil Collar	1
16	B20S-429	Spring (Ø3)	1
17	B20S-431	Adjusting Lock Ring	1
18	B30S-430	Adjusting Nut	1

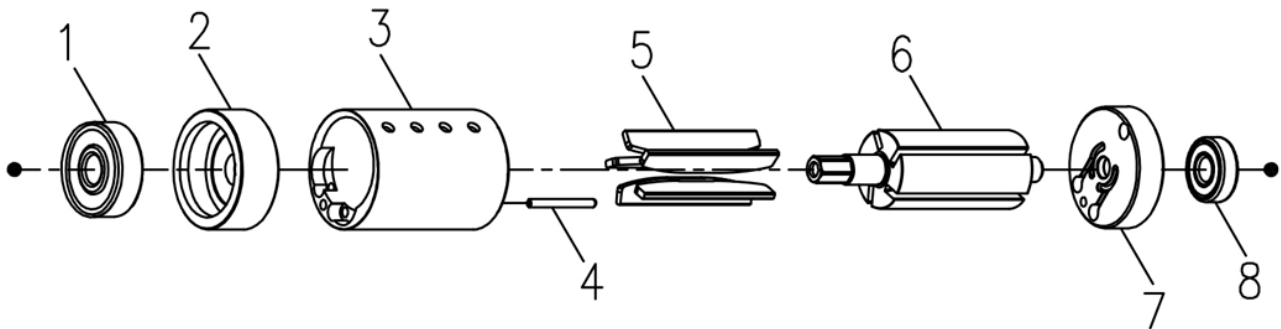
# RRI-SA10505 SHUT-OFF SCREWDRIVER



## Gear Box Units

Index No.	Part No.	Description	Q'ty
	<b>220-BD15S-4040-1000</b>	<b>Gear Box Units</b>	<b>1</b>
1	00-3113	Snap Ring (R28)	1
2	00-3507	Snap Ring (S12)	1
3	BD15S-441	Washer	1
4	00-2305A	Ball Bearing (6001)	1
5	BD15S-440	Internal Gear	1
6	BD15S-442A	Front Gear Cage A	1
7	00-3484	Pin (Ø2.5x8.8L)	6

Index No.	Part No.	Description	Q'ty
8	00-2425	Needle Bear. (Ø2.5xØ4.5x5L)	6
9	BD15S-443B	Plant Gear B	3
10	BD15S-444	Washer	1
11	BD15S-452A	Rear Gear Cage Assy.	1
12	BD15S-443A	Plant Gear A	3
13	BD15S-447	Rotor Gear	1
14	BD15S-448	Rear Cover	1

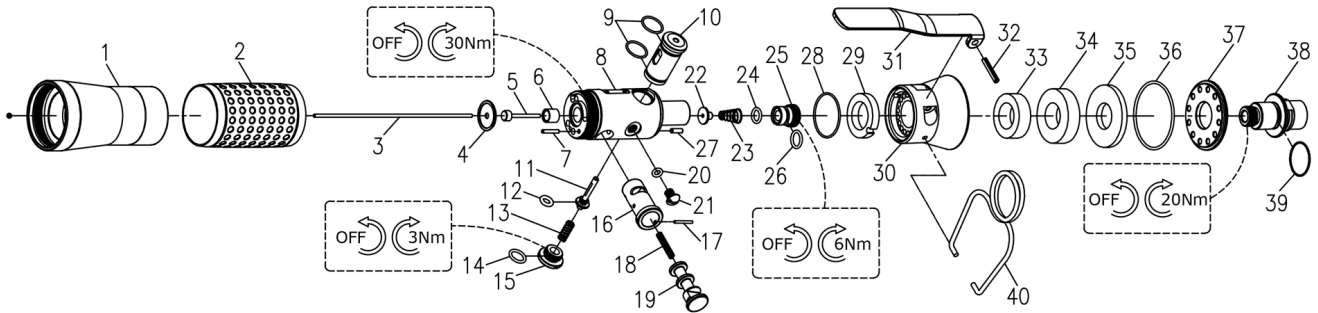


## Motor Units

Index No.	Part No.	Description	Q'ty
	<b>220-BD15S-3003-1000</b>	<b>Motor Units</b>	<b>1</b>
1	00-2323	Ball Bearing (626ZZ)	1
2	C10S-301	Front Plate	1
3	BD15S-302	Cylinder	1
4	00-3362	Spring Pin (Ø1.5x16L)	1

Index No.	Part No.	Description	Q'ty
5	BD15S-304D	Rotor Blade	5
6	BD15S-303	Rotor	1
7	C10S-305	Rear End Plate	1
8	00-2370	Ball Bearing (695Z)	1

# RRI-SA10505 SHUT-OFF SCREWDRIVER



## Motor Housing & Valve Cage Units

Index No.	Part No.	Description	Q'ty
1	BD15SL-101	Motor Housing	1
2	B10S-103	Housing Rubber	1
3	BD15SL-314	Valve Stem	1
	<b>220-BS10SL-5018-3000</b>	<b>Valve Cage Units (Index No.4~26)</b>	<b>1</b>
4	C10SL-525	Washer	1
5	CS10SL-527	Piston	1
6	C20SL-526	Guide Ring	1
7	00-3447	Pin (Ø2x12L)	1
8	B10SL-518	Seat	1
9	00-41180	O-Ring (Ø9xØ1)	2
10	C10SL-530	Valve	1
11	C10SL-510	Pin	1
12	00-41178	O-Ring (Ø2.5xØ1.5)	1
13	C20S-450	Spring	1
14	00-41140	O-Ring (Ø5.5xØ1.5)	1
15	C10SL-529	Screw Cap	1
16	C10S-501	Valve Sleeve	1
17	00-3366	Spring Pin (Ø1.5x10L)	1
18	C20S-528	Spring	1
19	C10S-502	Reverse Valve	1
20	00-41156	O-Ring (Ø3.5xØ1.5)	1
21	00-1304	Screw (M5x6L)	1

Index No.	Part No.	Description	Q'ty
22	CS10SL-514	Shut Block	1
23	BD20SL-515	Spring	1
24	00-41256	O-Ring (Ø4.5xØ1.5)	1
25	C10SL-531	Air Inlet Valve	1
26	00-41255	O-Ring (Ø6.5xØ1.5)	1
27	00-3448	Pin (Ø2.5x8L)	1
28	00-41225	O-Ring (Ø25xØ1)	1
29	C10S-601	Muffler	1
30	B10SL-603	Exhaust Deflector	1
31	BD15SL-504	Trigger	1
32	00-3308	Spring Pin (Ø3x18L)	1
33	B10S-601A	Muffler	1
34	B10S-601B	Muffler	1
35	B10S-601C	Muffler	1
36	00-4174	O-Ring (Ø31xØ1.5)	1
37	B10S-608	Deflector cap	1
	B10S-604A	Air Inlet (1/4"-PF19)	
38	B10S-604B	Air Inlet (1/4"-PT19)	1
	B10S-604C	Air Inlet (1/4"-NPT18)	
39	00-4157	O-Ring (Ø10xØ1.5)	1
40	B20S-102	Hanger	1