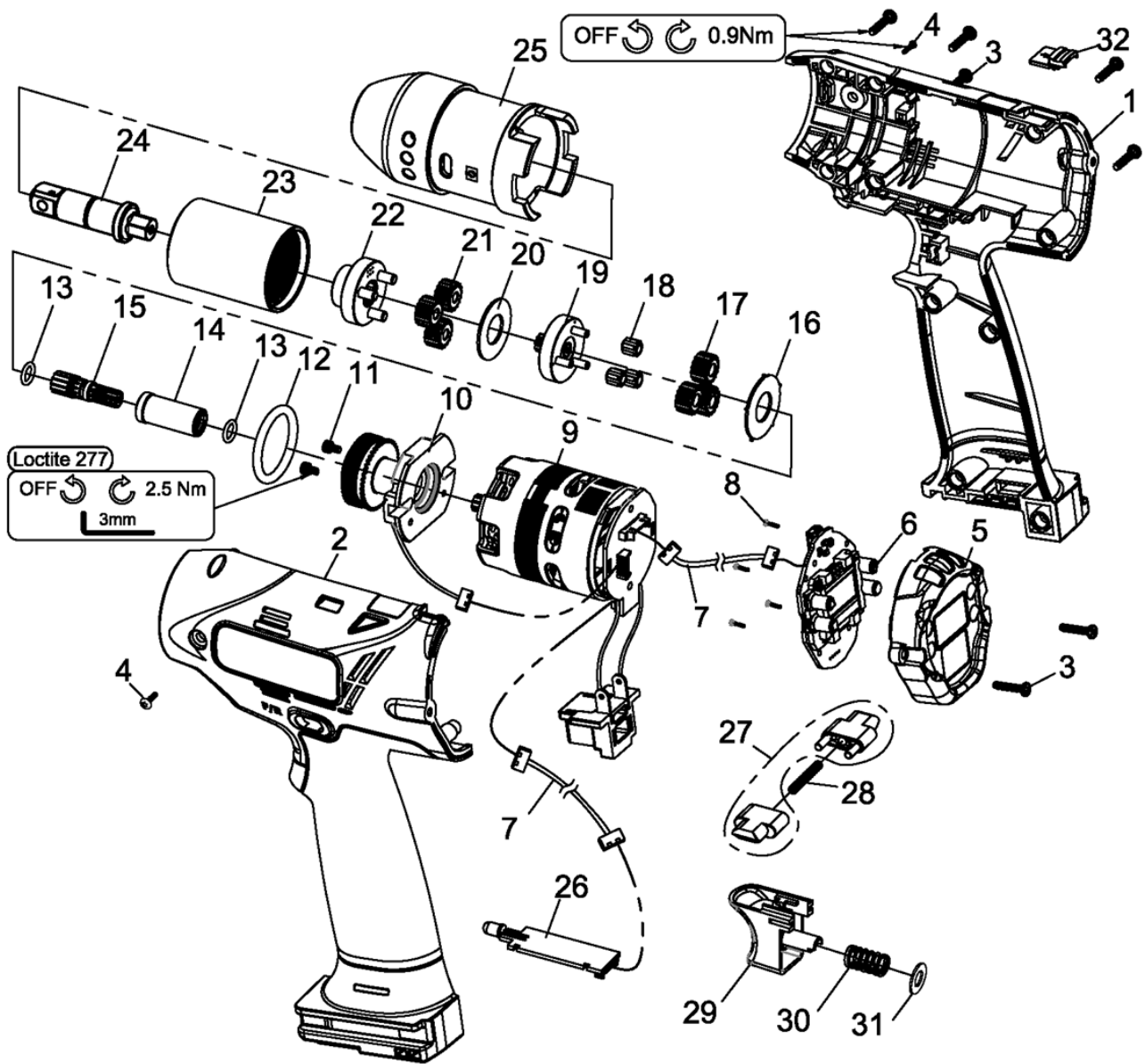


RRI-BCP16S3 CORDLESS TRANSDUCERIZED TOOL (5-16 NM)



Index No.	Part No.	Description	Q'ty
1	33101-NPA	Upper Housing	1
2	33102-NPA	Lower Housing	1
3	000-0930	Screw (ø3×14L)	12
4	000-0332	Screw (M3×6L)	2
5	33110-NPA-01	Cover	1
6	32176-NPA-01	LCM Board Assembly	1
7	B86IWT	Connector Wire	2
8	0-151018	Screw (ø2.6×6L)	4
9	32083-NPA-03	Brushless Motor ;w/driver	1
10	32046-NPA-03	Transducer Assembly	1
11	0-101066	Screw (M4×11L)	2
12	0-431022	O-Ring (P26)	1
13	00-41255	O-Ring (S7)	2
14	33242-NRA-01	Sleeve Coupling	1
15	33249-NPA-15	Sun Gear	1
16	D39SC180B-4	Washer	1

Index No.	Part No.	Description	Q'ty
17	33249-NPA-17	Planet Gear	3
18	000-2415	Needle Bearing (INA-K357)	3
19	32051-NPA-05	Gear Cage Assembly	1
20	D39SC108B	Washer	1
21	33249-NPA-07	Planet Gear	3
22	32051-NPA-02	Gear Plate Assembly	1
23	32049-NPA-01	Gear Ring Assembly	1
24	32043-NPA-02	Shaft Assembly	1
25	32041-NPA-01	Front Cover Assembly	1
26	B76IWT	PC Board	1
27	B09IWT#B1	F/R Valve (1set×2pcs)	1
28	D48IWT	Spring	1
29	32009-NPA-01	Trigger Assembly	1
30	D48PW15	Spring	1
31	C39PW15-3	Washer	1
32	33110-NPA-02	Cover	1