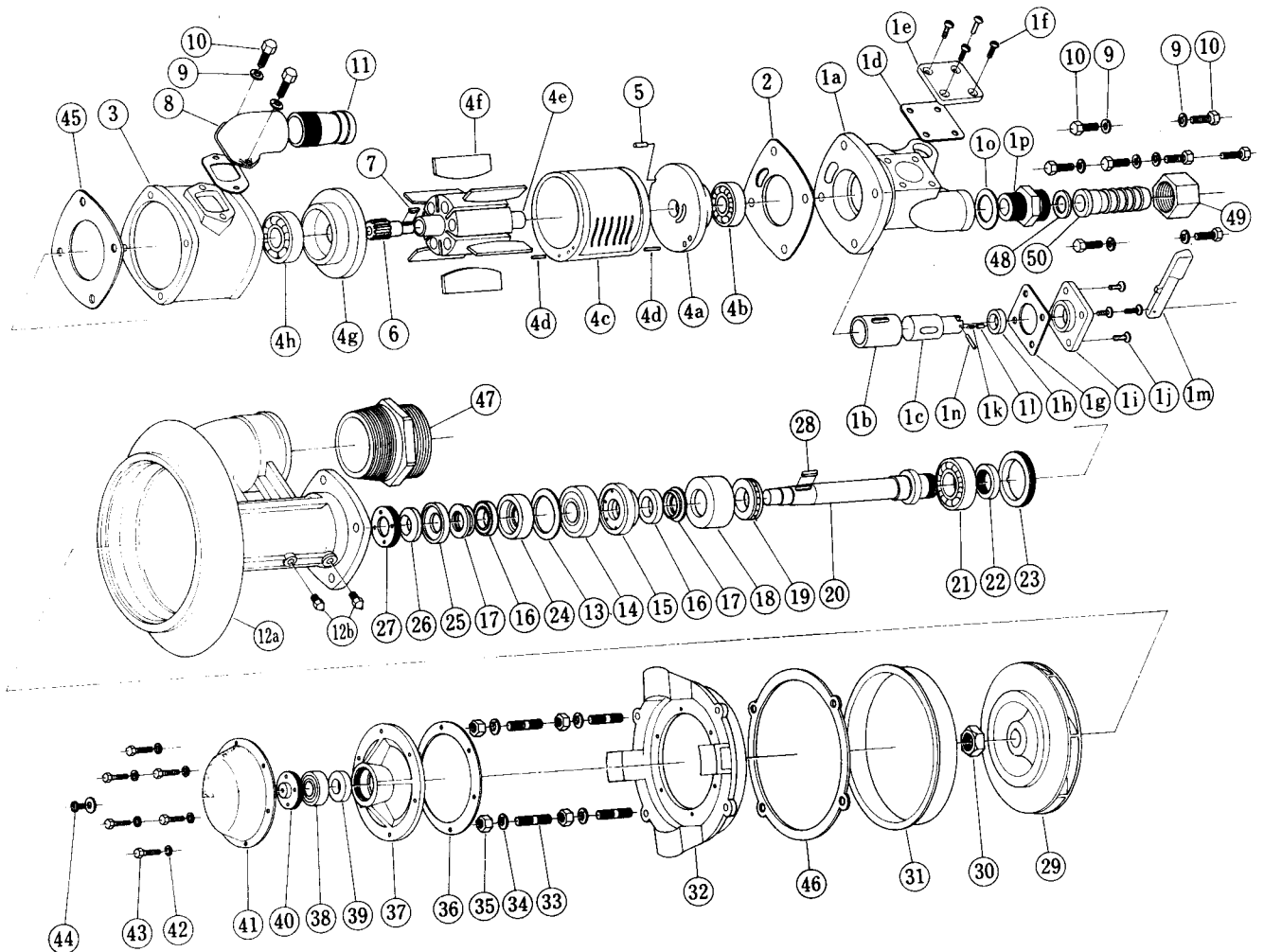


# YOKOTA

## MODELS: YP-35 SUMP PUMPS (YES-01)

Tool No. 7002 0000 01 00

● EXPLODED VIEW



# YOKOTA EUROPA BV

DE WILHELMSTRASSE 141 4010 DUISBURG 12 GERMANY TEL: 0206 47111 TELEFAX NR 14011

IMPACT WRENCHES, DRIVERS, GRINDERS, HAMMERS, DRILLS, FLUX CHIPPERS, TAPPERS, AIR SCALERS, PUMPS.

# YOKOTA

## MODELS: YP-35 SUMP PUMPS (YES-01)

Tool No. 7002 0000 01 00

### ● PARTS LIST

Index No.	Name of Parts	Per Set	Parts No.	Index No.	Name of Parts	Per Set	Parts No.
1	Handle Assy.	1set	7002 0002 00 99	14	Ball Bearing (# 6305V)	1	9100 2018 00 00
	(a) Handle	1	7002 0002 00 00	15	Impeller Shaft Packing Step	1	7002 1024 00 00
	(b) Throttle Bushing	1	7002 0104 00 00	16	Impeller Shaft Packing	2	7002 1022 00 00
	(c) Throttle Valve	1	7002 0108 00 00	17	Impeller Shaft Packing Support	2	7002 1025 00 00
	(d) Throttle Cover Packing	1	7002 0146 00 00	18	Bearing Case	1	7002 1027 00 00
	(e) Throttle Cover	1	7002 0145 00 00	19	Thrust Bearing (# 2906)	1	9110 0005 00 00
	(f) Screw (6×13)	4	9450 1008 00 00	20	Impeller Shaft	1	7002 1021 00 00
	(g) Throttle Cap Packing	1	7002 0147 00 00	21	Ball Bearing (# 6206)	1	9100 1026 00 00
	(h) Oil Seal (SB20×30×9)	1	9030 1009 00 00	22	Stop Nut	1	7002 1035 00 00
	(i) Throttle Cap	1	7002 0107 00 00	23	Impeller Shaft Case Nut (A)	1	7002 1026 00 01
	(j) Screw (M6×16)	4	9450 1009 00 00	24	Impeller Shaft Packing Case	1	7002 1023 00 00
	(k) Spring (5×13)	1	8020 1028 00 00	25	Impeller Shaft Packing Cap	1	7002 1033 00 00
	(l) Plunger	1	7002 0149 00 00	26	L-Packing (25×42×8)	1	8010 2016 00 00
	(m) Throttle Lever	1	7002 0110 00 00	27	Impeller Shaft Case Nut (B)	1	7002 1026 00 02
	(n) Pin (3×20)	1	8051 1106 00 00	28	Key (7×4.5×22)	1	8060 1080 00 00
	(o) L-Packing (32×42×2)	1	8010 2018 00 00	29	Impeller	1	7002 1029 00 00
	(p) Hose Joint	1	7002 0113 00 00	30	Impeller Shaft Nut	1	7002 1032 00 00
2	S-Packing (A)	1	7002 0003 00 01	31	Impeller Ring	1	7002 1034 00 00
3	Motor Case	1	7002 0011 00 00	32	Bottom Frame	1	7002 1020 00 00
4	Motor Assy.	1set	7002 0305 00 99	33	Stud Bolt (W3/8×36)	4	8070 9002 00 00
	Upper Plate Assy.	1set	7002 0303 00 99	34	Spring Washer (W3/8)	4	9200 4002 00 00
	(a) Upper Plate	1	7002 0303 00 00	35	Hexagon Nut (W3/8)	4	9500 2006 00 01
	(b) Ball Bearing (# 6304VV)	1	9100 3019 00 00	36	C-Packing (110.5×140×0.63)	1	8010 1001 00 00
	Cylinder Assy.	1set	7002 0304 01 99	37	Bracket	1	7002 1030 00 00
	(c) Cylinder	1	7002 0304 01 00	38	Ball Bearing (# 1203)	1	9100 1037 00 00
	(d) Spring Roll Pin (6×14)	2	9250 1084 00 00	39	Oil Seal (SB17×35×7)	1	9030 1005 00 00
	(e) Rotor	1	3601 0305 00 00	40	Bearing Support Nut	1	7002 1031 00 00
	(f) Vane	5	3601 0306 00 00	41	Strainer	1	7002 1028 00 00
	Lower Plate Assy.	1	7002 0307 00 99	42	Spring Washer (M6)	6	9200 2006 00 00
	(g) Lower Plate	1	7002 0307 00 00	43	Hexagon Bolt (M6×19)	6	8070 1010 00 00
	(h) Ball Bearing (# 6305VV)	1	9100 3020 00 00	44	Screw (M6×11)	1	9420 1003 00 00
5	Pin (6×8)	1	8051 1210 00 00	45	S-Packing (B)	1	7002 0003 00 02
6	Rotor Gear	1	3602 0316 00 00	46	S-Packing (C)	1	7002 0003 00 03
7	Key (5×3.5×17)	1	8060 1054 00 00	47	Water Hose Joint	1	7002 1040 00 00
8	Exhaust Elbow	1	7002 0061 00 00	48	L-Packing (22×33×2)	1	8010 2014 00 00
9	Spring Washer (M8)	10	9200 2008 00 00	49	Hose Joint Nut	1	0903 0141 00 00
10	Hexagon Head Bolt (M8×25×20)	10	8070 1020 00 00	50	Hose Nipple	1	0903 0151 00 00
11	Exhaust Hose Nipple	1	7002 0063 00 00				
12	Impeller Case Assy.	1set	7002 1019 00 99		[Option Parts]		
	(a) Impeller Case	1	7002 1019 00 00		Water Hose Nipple	1	7001 1041 00 00
	(b) Grease Nipple (W1/8)	2	9660 1001 00 00		Water Hose Joint Nut	1	7001 1042 00 00
13	Washer (46×62×2)	1	8040 1068 00 00		L-Packing (70×85×4)	1	8010 2023 00 00



# YOKOTA EUROPA BV