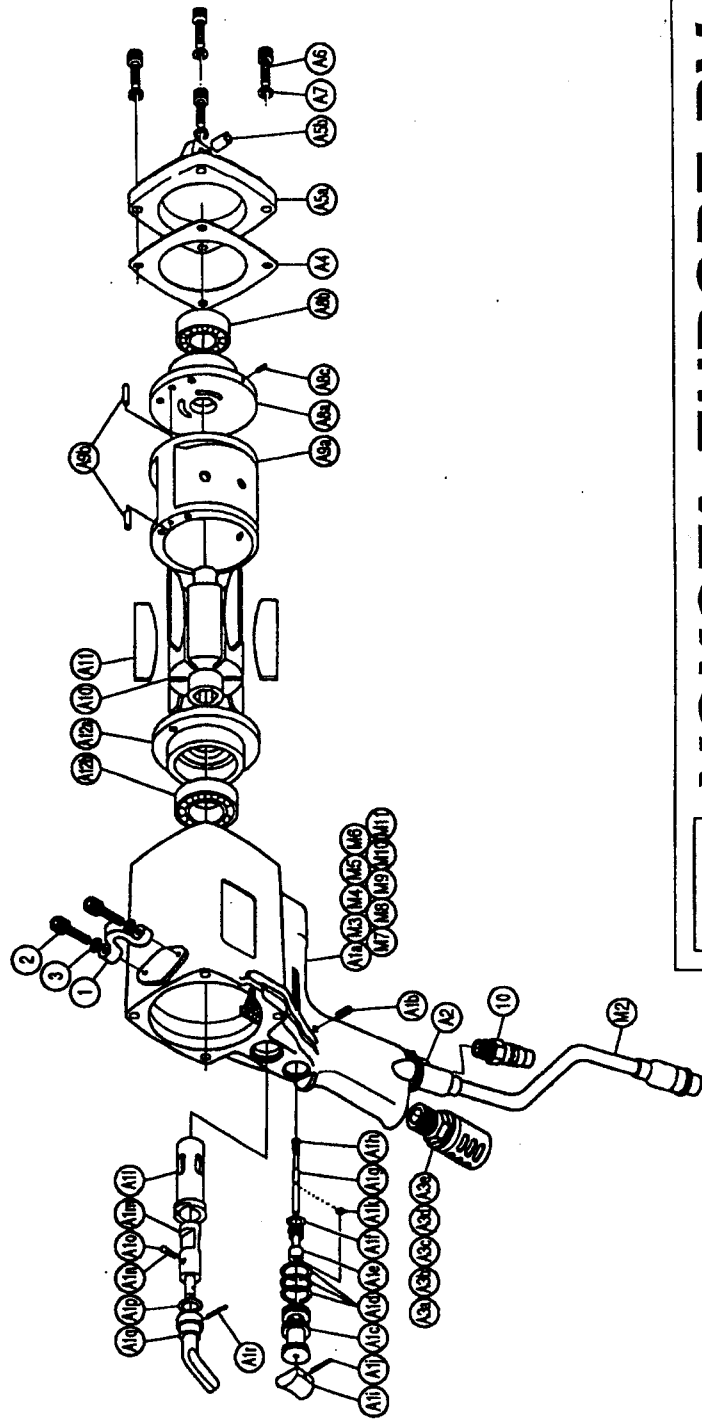




SYSTEM WRENCH

MODELS	(YES/No.)	TOOL No.
YEX-3000	(04)	0407 0000 04 00
YEX-3000-G	(04)	0407 0000 04 11

No.	Name of Parts	Per set	Parts No.	No.	Name of Parts	Per set	Parts No.
M1	Motor Case Assy.	1 set	0407 0011 02 99	A11	Vane	6	0405 0306 01 00
M1	Motor Case Assy. (1)	1 set	0407 0011 01 67	A12	Lower Plate Assy.	1 set	0405 0307 01 99
A1	Motor Case (B) Assy.	1 set	0407 0011 00 97		a) Lower Plate	1	0405 0307 01 00
	a) Motor Case	1	*	M2	Ball Bearing 8905	1 set	9100 1047 00 00
	b) Screw M5X8 P=0.8	1	9480 1010 00 00		Holder Assy.	1 set	0407 0717 00 99
	Throttle Bushing Assy.	1 set	0229 0104 00 99	M3	Contraction Tube 3'X15	1	9380 5007 00 00
	c) Throttle Bushing	1	*	M4	Contraction Tube 1.5'X10	4	9380 5008 00 00
	d) O-Ring N15	3	9010 4008 00 00	M5	Micro Connector PM-10	1	9500 2001 00 00
	Throttle Rod Bushing Assy.	1 set	0323 0105 00 99	M6	Contraction Tube 5'X20	1	9380 5009 00 00
	e) Throttle Rod Bushing	1	*	M7	Socket Connector 170205-1	2	8480 1001 00 00
	f) O-Ring No.5 (HS90)	1	9010 3022 00 00	M8	Socket Housing 171822-2	1	8470 1001 00 00
	Throttle Rod Assy.	1 set	0229 0106 01 99	M9	Buzzer Basic Assy.	1 set	0234 0798 00 98
	g) Throttle Rod	1	*	M10	O-Ring P20	1	9010 1017 00 00
	h) O-Ring N2	1	9010 4001 00 00	M11	Snap Ring RTW-24	1	9040 1014 00 00
	i) Throttle Knob	1	2024 0153 00 00		Hanger	1	0509 0017 00 00
	j) S.R.Pin 1.5X14	1	9250 1005 00 00	2	Hex. Bolt M6X20 P=1	2	8070 3034 00 00
	k) Snap Ring ETW-2.8	1	9040 5008 00 00	3	Spring Washer M6	2	9200 3006 00 00
	l) Reverse Bushing	1	0229 0004 00 00				
	m) Reverse Valve	1	0320 0005 00 00				
	n) Spring 4X6 N=3 0.5"	1	8020 1022 00 00				
	o) Ball M4 S	1	9150 1005 00 00				
	p) Snap Ring IRTW-14	1	9040 3004 00 00				
	q) Reverse Lever	1	0048 0007 01 00				
	r) S.R.Pin 3X14	1	9250 1049 00 00				
A2	Hose Joint	1	0078 0113 00 00				
A3	Silencer Assy. PF3/8	1 set	0405 0053 01 99				
	a) Silencer Body PF3/8	1	*				
	b) Silencer Cover	1	3048 0081 02 00				
	c) Silencer Sheet	1	0405 0032 00 00				
	d) Joint Ring	1	1105 0116 00 00				
	e) O-Ring N20	1	9010 4010 00 00				
A4	S-Packing A	1	0407 0003 00 01				
A5	Motor Case Cover Assy.	1 set	0407 0001 00 99				
	a) Motor Case Cover	1	*				
	b) S.R.Pin 8X12	1	9250 1110 00 00				
A6	Hex. Bolt M6X22X18	4	8070 3035 00 00				
A7	Spring Washer M6	4	9200 3006 00 00				
A8	Upper Plate Assy.	1 set	0405 0303 01 99				
	a) Upper Plate	1	0405 0303 01 00				
	b) Ball Bearing 8003	1	9100 1018 00 00				
	c) S.R.Pin 2.5X6	1	9250 1030 00 00				
A9	Cylinder Assy.	1 set	0405 0304 00 99				
	a) Cylinder	1	*				
	b) S.R.Pin 4X10	2	9250 1066 00 00				
A10	Rotor	1	0405 0305 00 00				



**YOKOTA EUROPE BV**

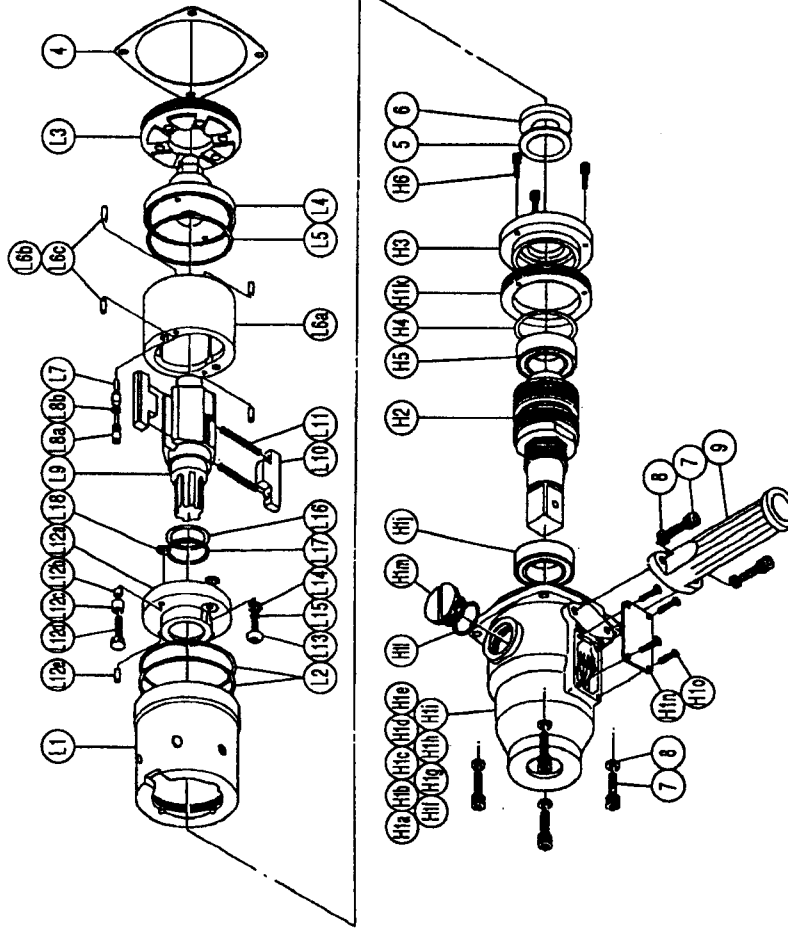
e-mail [info@impulsetools.com](mailto:info@impulsetools.com) <http://www.impulsetools.com>  
 P.O. BOX 382 NL-1000 AJ AMSTERDAM PHONE: 020-625 29 53 FAX: 020-625 35 69  
 Hydraulic Impulse Wrenches, Impact Wrenches, Drills, Grinders, Screw Drivers, Chippers, Pumps.

The part \* can not be supplied individually.  
 So please order it as a unit of assembly  
 shown by arrow mark (↑).

## With built - in torque sensor 2 BLADE·SYSTEM WRENCH

MODEL (YES.No.)	TOOL No.
YEX-3000 (04)	0407 0000 0400
YEX-3000-G (04)	0407 0000 0411

### Exploded View of Liner Case and Hammer Case



### Parts for Liner Case

No.	Name of Parts	Per Set	Parts No.
L	Liner Case Assy.	1set	0407 0422 04 99
L1	Liner Case	1	0407 0422 01 00
L2	O - Ring (N63)	2	9010 4038 00 00
L3	Liner Cap	1	0405 0429 00 00
L4	Liner Upper Plate	1	0405 0424 01 00
L5	O - Ring (N156)	1	9010 4037 00 00
L6	Liner Assy.	1set	0405 0425 04 99
	(a) Liner	1	*
	(b) Pin (4.5x7.5 41~44HRC)	2	9052 1039 00 00
	(b) Pin (6x7.41~44HRC)	2	9052 1038 00 00
L7	Relief Valve	1	0405 0245 00 00
L8	Spring Guide (B) Assy.	1	0405 0510 00 99
	(a) Spring Guide (B)	1	*
	(b) O - Ring (P3)	1	9010 1001 00 00
L9	Liner Shaft	1	0407 0798 01 00
L10	Blade	2	0405 0719 01 00
L11	Spring (4.6x5.7)	2	9020 1293 00 00
L12	Liner Lower Plate (A) Assy.	1set	0407 0428 04 99
	(a) Liner Lower Plate	1	*
	(b) Nylon Bushing (M5)	1	0406 0431 02 00
	(c) Bushing	1	0408 0728 00 00
	(d) Adjust Bolt	1	0407 0522 01 00
	(e) Spring Pin (6x8)	1	9250 2028 00 00
L13	Hexagon Bolt (M5x8 P=0.8)	1	9071 1011 00 00
L14	Washer (7.5x9.5x1.2)	1	9040 1127 00 00
L15	O - Ring (N6)	1	9010 4033 00 00
L16	O - Ring (2.4x24.7x28.5)	1	9010 8021 00 00
L17	Back-up Ring (25x29x1)	1	9090 1008 00 00
L18	O - Ring (N8)	2	9010 4028 00 00
4	S-Packing (B)	1	0405 0003 00 02

The part "\*" can not be supplied individually.  
So please order it as a unit of assembly shown by arrow mark (↑).

### Parts for Hammer Case

No.	Name of Parts	Per Set	Parts No.
H	Hammer Case Assy.	1set	0407 0401 01 99
H1	Hammer Case Assy.(1)	1set	0407 0401 01 69
	(a) Hammer Case	1	*
	(b) Core (A) Assy.	1set	*
	(c) Core (B)	1	*
	(d) Spacer (A)	1	*
	(e) Core (C)	1	*
	(f) Core (D) Assy.	1set	*
	(g) Screw (M4x5 P=0.7)	1	9480 1006 00 00
	(h) Contraction Tube (1.5"x9)	4	9390 5010 00 00
	(i) Micro Connector (OX-202)	4	9500 4001 00 00
	(j) Ball Bearing (6905ZZ)	1	9100 5013 00 00
	(k) Lock Nut (B)	1	0407 0819 00 02
	(l) Regulator Cap (N22)	1	0407 0204 00 00
	(m) Cover Plate	1	9010 4011 00 00
	(n) +Screw (M4x8 P=0.7)	4	9410 2004 00 00
H2	Main Shaft Assy.	1set	0407 0814 01 99
H3	Bearing Case	1	0407 0650 00 00
H4	C-Packing (36x41.5x0.1)	1	9010 1186 00 00
H5	Ball Bearing (6905ZZ)	1	9100 5013 00 00
H6	Hexagon Bolt (M4x10 P=0.7)	3	9070 3007 00 00
2	Washer (19.5x36x0.6)	1	9041 5032 00 00
6	Spacer	1	0407 0119 00 00
7	Hexagon Bolt (M6x22x1.6)	6	9070 3035 00 00
8	Spring Washer (M6)	6	9200 3006 00 00
10	Touch Joint (1/4-07)	1	9690 0007 00 00
	Standard Accessories		
	TF Pin (2x90)	1	9051 6001 00 00
9	S-Handle	1	0508 0411 00 00
	Protector	1	0407 0029 00 00
	Special Parts for G - version		
H'	Hammer Case Assy.	1set	0407 0401 01 35
H'1	Hammer Case (A) Assy.	1set	0407 0401 00 34
	(a) Hammer Case (A)	1	*
	Standard Accessories		
	TF Pin (2x90)	1	9051 6001 00 00
9	S-Handle	1	0508 0411 00 00

The part "\*" can not be supplied individually.  
So please order it as a unit of assembly shown by arrow mark (↑).



# YOKOTA EUROPA BV

P.O. BOX 392 NL-1000 AJ AMSTERDAM · PHONE 020-6318900 FAX 020-6318908  
e-mail: info@impulse-tools.com · http://www.impulse-tools.com

Hydraulic Impulse Wrenches, Impact Wrenches, Screw Drivers, Drills, Drivers, Sockets, Planks.