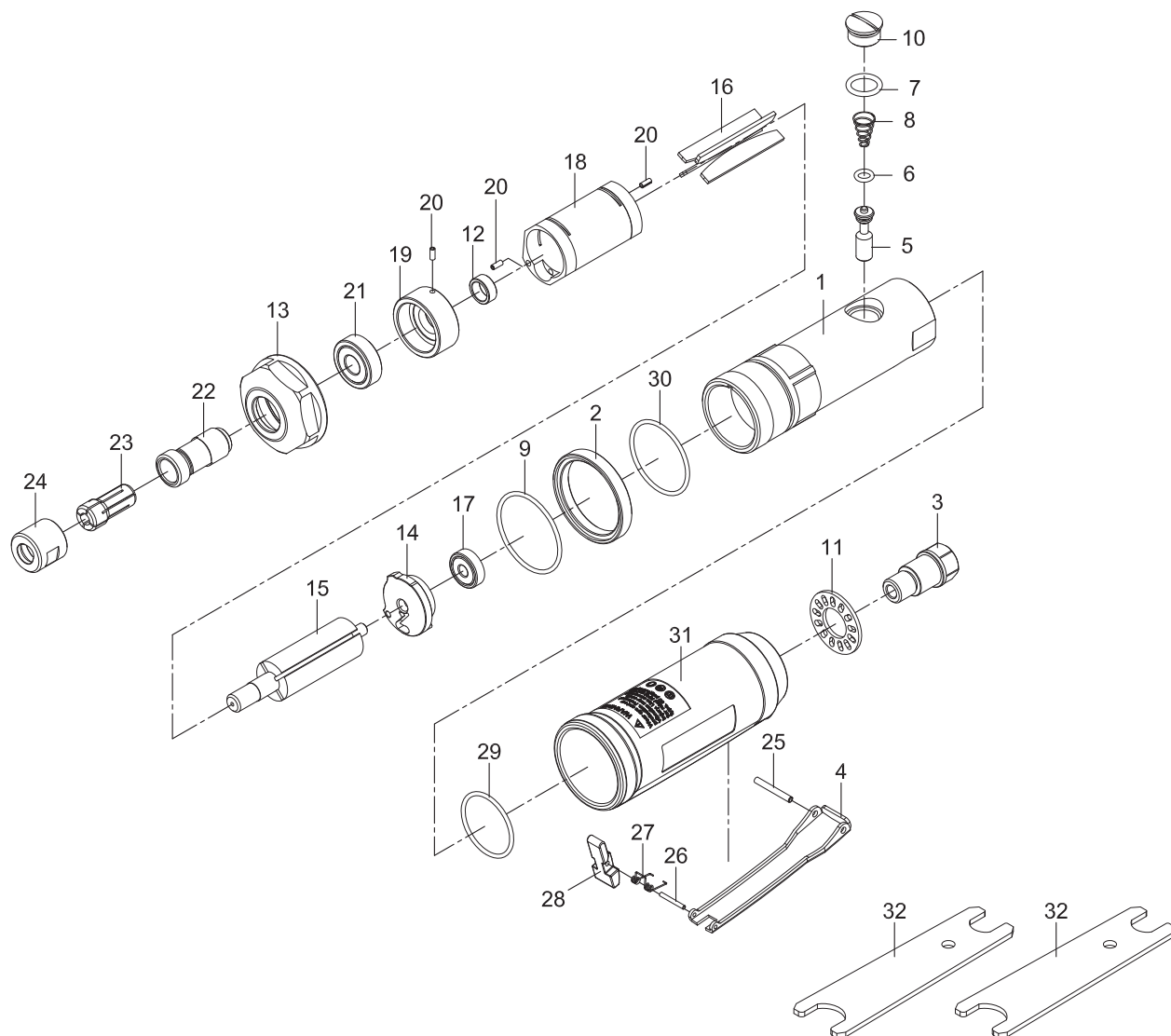


# RRG-1000RE DIE GRINDER



Index No.	Parts No.	Description	Index No.	Parts No.	Description
1	50-520001	Motor Housing	17	030113	Ball Bearing (626zz)
2	50-520002	Decoration Ring	18	5L-520018	Cylinder
3	50-520003	Air Inlet	19	5K-3011B19	Front End Plate
4	5J-842304	Throttle Lever	20	72017	Spring Pin(3) (Ø2.5x6L)
5	50-520005	Valve Shaft	21	051220	Ball Bearing (6000zz)
6	70107	O-Ring (Ø4.8xØ2.2)	22	50-500222	Collet Holder
7	70123	O-Ring (Ø11.8xØ2.4)	23	50-500228	Collet
8	50-520008	Spring	24	50-500223	Collet Nut
9	OR04000200	O-Ring (Ø40xØ2)	25	30102	Spring Pin (Ø3x24L)
10	50-520010	Plug	26	40128-21	Spring Pin (Ø2x16L)
11	50-520011	Diffuser	27	51541	Spring
12	5K-3011B11	Rotor Bushing	28	5J-842350	Safety Bar
13	50-520013	Clamp Nut	29	OR03105200	O-Ring (Ø31.5xØ2)
14	5K-3011B14	Rear End Plate	30	40126	O-Ring (Ø35.5xØ2)
15	50-520015	Rotor	31	50-520052	Grip
16	5K-3011B16	Rotor Blade (4)	32	51228	Spanner(2)

\*Optional parts

50-5200-0001

03.07.2012