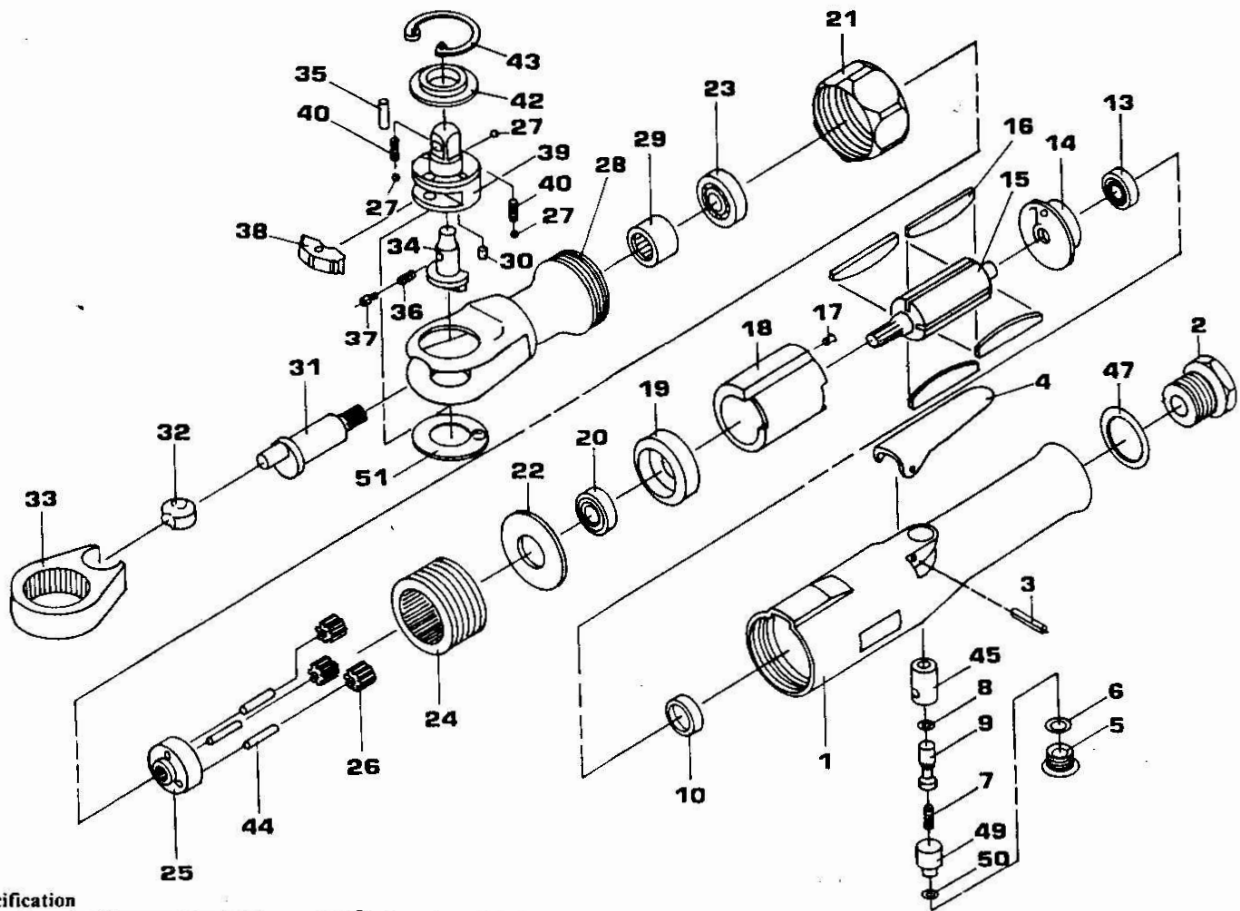


RRW-121 RATCHET WRENCH



Specification

Capacity(St. Bolt Size)	1/2"	Air Inlet	1/4" NPT
Speed	150 RPM	Hose Size	3/8" ID
Max Torque	90 FT-LBS	Length	14-1/8"
Recomm. Air Pressure	90 PSI	Weight	4.4 LBS
Av. Air Consumption	5.3 CFM	Drive	1/2"

Parts List

No.	Parts No.	Name of Parts	Qty
01	HD-12001	Motor Housing	1
02	HD-12002	Inlet Bushing	1
03	SP-25220	Spring Pin	1
04	AR-38005	Throttle Lever	1
05	VP-70041	Valve Screw	1
06	ORP-0110	O-Ring	1
07	VP-70037	Valve Spring	1
08	ORP-0060	O-Ring	1
09	VP-70035	Valve Stem	1
10	VP-70011	Bearing Cap	1
13	BB-06082	Ball Bearing	1
14	HD-12014	Rear End Plate	1
15	HD-12015	Rotor	1
16	HD-12016	Rotor Blade	4
17	SP-30060	Spring Pin	1
18	HD-12018	Cylinder	1
19	HD-12019	Front End Plate	1
20	BB-60002	Ball Bearing	1
21	HD-12021	Clamp Nut	1
22	HD-12022	Washer	1
23	BB-62000	Ball Bearing	1
24	HD-12024	Internal Gear	1
25	HD-12025	Idler Gear Plate	1
26	HD-12026	Idler Gear	3
27	SB-006	Steel Ball	3
28	HD-12028	Ratchet Housing	1
29	HD-12029	Needle Bearing	1
30	SP-25060	Spring Pin	1
31	HD-12031	Crank Shaft	1

No.	Parts No.	Name of Parts	Qty
32	HD-12032	Drive Bushing	1
33	HD-12033	Yoke	1
34	HD-12034	Reverse Button	1
35	NR-60160	Needle Roller	1
36	HD-12036	Reverse Spring	1
37	HD-12037	Lock Pin	1
38	HD-12038	Pawl	1
39	HD-12039	Ratchet Anvil	1
40	HD-12040	Spring	2
42	HD-12042	Thrust Washer	1
43	RTW-036	Internal Stop Ring	1
44	NR-50223	Needle Roller	1
45	AP-70030	Bushing	1
47	ORP-0180	O-Ring	1
49	AP-70034	Air Regulator	1
50	ORP-0080	O-Ring	1
51	HD-12051	Washer	1
K01	** HD-12KO1	Throttle Handle Kit (1.2.3.4.45.47)	1 SET
K02	** HD-12KO2	Valve Kit(5.6.7.8.9.49.50)	1 SET
K03	** HD-12KO3	Idler Gear Kit(25.26.44)	1 SET
K04	** HD-12KO4	Ratchet Head Kit (27.30.34.35.36.37.38.39.40. 42.43)	1 SET
K05	** HD-12KO5	Ratchet Housing Kit (23.28.29)	1 SET

**To get maximum performance and life of your tool, replace the whole set of Parts Kit is highly recommended.