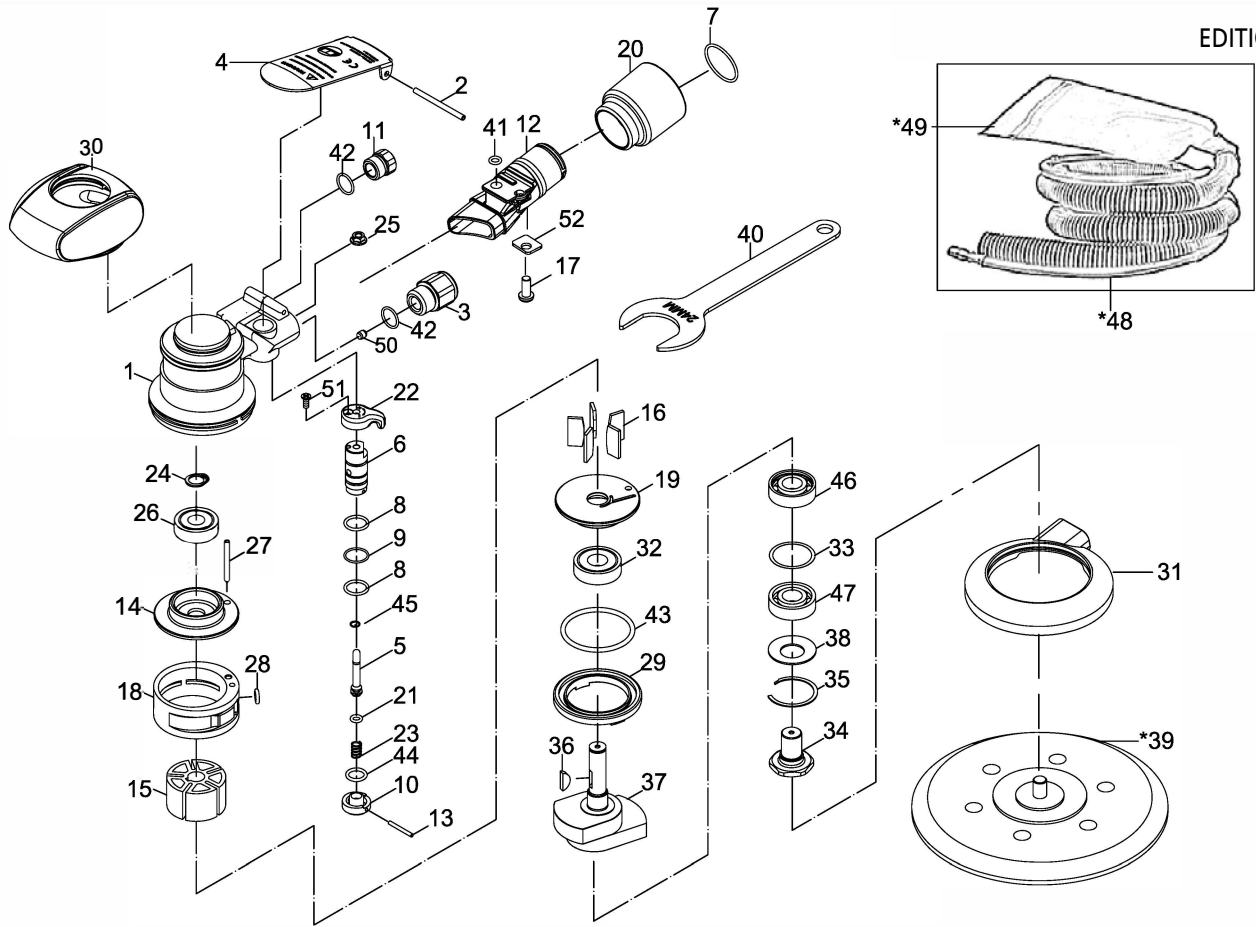


RRI-6150-5SV PALM SANDER

EDITION 2



| Index No. | Parts No. | Description | Index No. | Parts No. | Description |
|-----------|-----------------|-----------------------|-----------|-------------|-----------------------|
| 1 | 66-5137A01 | Housing | 28 | OR00608109 | O-Ring (6.8×1.9) |
| 2 | SP03004000 | Spring Pin (3×40L) | 29 | 66-6133C29 | Lock Ring |
| 3 | 66-6133C03 | Air Inlet | 30 | 66-5137C30 | Grip Hat |
| 4 | 66-6133C04-0051 | Throttle Lever | 31 | 66-6135C31 | Shroud |
| 5 | 66-6133C05 | Shaft | 32 | 06001ZZ | Ball Bearing (6001ZZ) |
| 6 | 66-5137C06 | Bushing | 33 | 66-6132A13 | Washer |
| 7 | OR02105105 | O-Ring (21.5×1.5) | 34 | 66-6132A34 | Shaft |
| 8 | OR01007105 | O-Ring(2) (10.7×1.5) | 35 | 60-613135 | Snap Ring |
| 9 | 52236 | O-Ring (10.5×1) | 36 | 61934 | Key (3×13) |
| 10 | 66-5137C11 | Lock Seat | 37 | 66-6132A37 | Balancer Shaft |
| 11 | 66-6133A10 | Plug | 38 | 60-613139 | Washer |
| 12 | 66-6133A12 | Adapter | | 60-613142 | Pad (6",6 Holes) |
| 13 | 51542 | Spring Pin (2×18L) | *39 | 66-6132A43 | Pad (6",15 Holes) |
| 14 | 66-6133C14 | Rear End Plate | 40 | 66-6132A54 | Spanner |
| 15 | 66-6132A15 | Rotor | 41 | 72804 | O-Ring (6.5×1.5) |
| 16 | 66-5137C16 | Rotor Blade(5) | 42 | 82247 | O-Ring(2) (13.5×1.5) |
| 17 | 66-6133A17 | Screw (M5×12L) | 43 | OR03904301 | O-Ring (39.4×3.1) |
| 18 | 66-5137C18 | Cylinder | 44 | 40130 | O-Ring (8.8×1.7) |
| 19 | 66-6133C19 | Front End Plate | 45 | OR00200100 | O-Ring (2x1) |
| 20 | 66-6133C20 | Swivel Exhaust | 46 | 06001 | Ball Bearing (6001) |
| 21 | OR00307108 | O-Ring (3.68×1.78) | 47 | 06001P | Ball Bearing (6001P) |
| 22 | 66-5137C10 | Regulator | *48 | EH-6133ASUB | Self-Vacuum |
| 23 | 66-6133C08 | Spring | *49 | 66-6132A47 | Self-Vacuum Bag |
| 24 | 66-6132A12 | Retainer Ring | 50 | 66-6133C22 | Stopper |
| 25 | 66-6133C32 | Nut (M5×0.8) | 51 | 61035 | Screw (M3×8L) |
| 26 | 06000ZZ | Ball Bearing (6000ZZ) | 52 | 66-6133A11 | Washer |
| 27 | SP03002800 | Spring Pin (3×28) | | | |

* optional part

66-5137A-RAM01