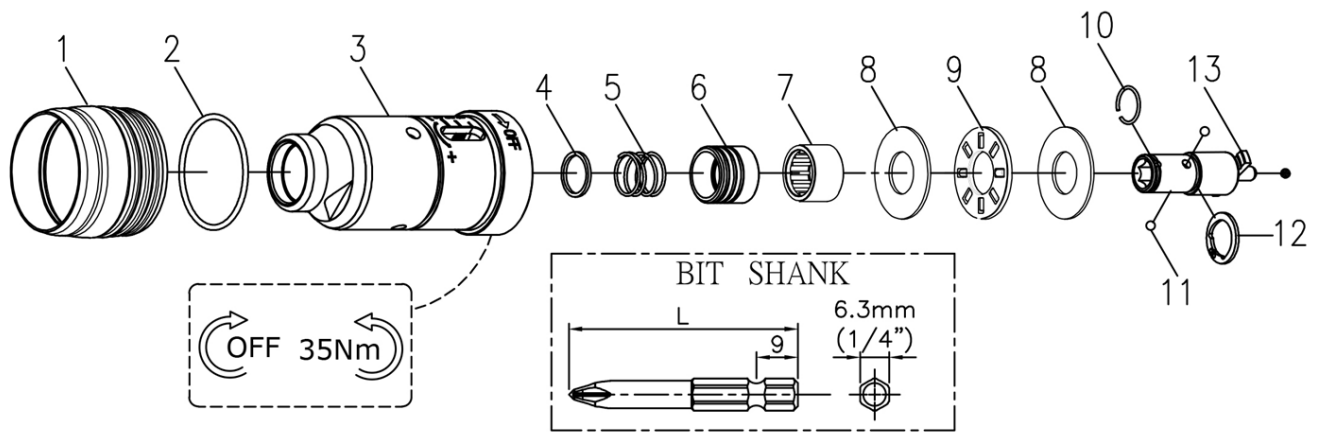


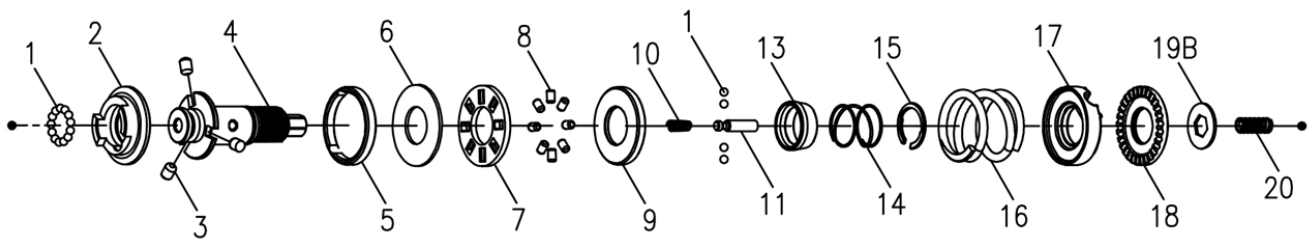
# RRI-SD21106 SHUT-OFF SCREWDRIVER



## Clutch Housing & Anvil Units

Index No.	Part No.	Description	Q'ty
1	B20S-207	Adjusting Cover	1
2	00-4151	O-Ring (Ø25.63xØ1.6)	1
3	BD15S-201#L1	Clutch Housing	1
	<b>220-BD20P-4005-1000</b>	<b>Anvil Units (Index No.4~13)</b>	<b>1</b>
4	B20S-415	Spring Washer	1
5	B20S-418	Spring	1
6	B20S-417	Quick Change Holder	1

Index No.	Part No.	Description	Q'ty
7	00-2415	Needle Bearing (HK1210)	1
8	00-1516	Washer (Ø12xØ26x1t)	2
9	00-2805	Roller Bearing (NTB1226)	1
10	B20S-428B	Anvil Collar B	1
11	00-3835	Steel Ball (Ø2.5)	2
12	00-4802	Snap Ring (IS11)	1
13	B20S-405	Anvil	1

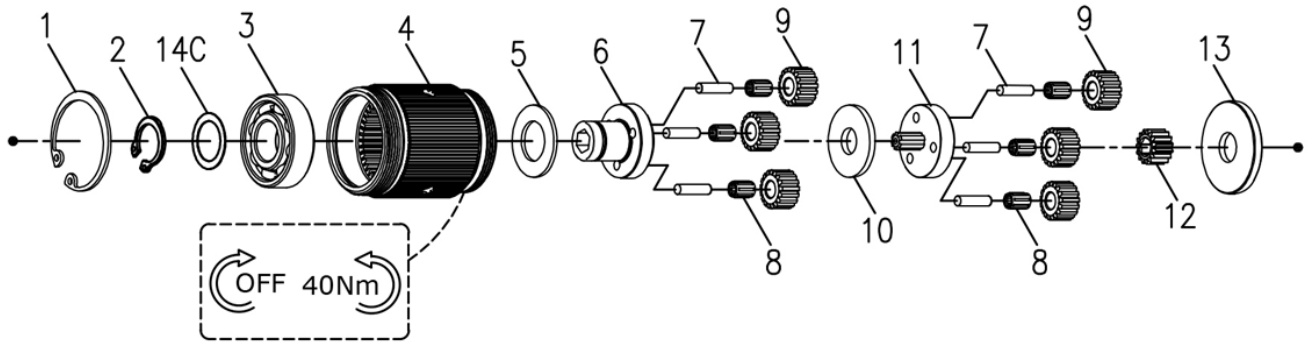


## Clutch Units

Index No.	Part No.	Description	Q'ty
	<b>220-BD20S-4016-2000</b>	<b>Clutch Units (Index No.1~18)</b>	<b>1</b>
1	00-3835	Steel Ball (Ø2.5)	17
2	B20S-425	Clutch Ring	1
3	B20S-426	Ejector Pin	3
4	BD15S-416	Transmission Shaft	1
5	B20S-424	Ejector Ring	1
6	00-1516	Washer (Ø12xØ26x1t)	1
7	B20S-410	Washer	1
8	00-3471	Pin (Ø2.5x4L)	8
9	B20S-433	Spring Seat	1

Index No.	Part No.	Description	Q'ty
10	BD15S-524	Spring	1
11	BD15S-527	Piston	1
13	B20S-449	Control Ring	1
14	B30S-427	Spring	1
15	B20S-428C	Anvil Collar	1
16	BD20S-429	Spring (Ø3.2)	1
17	B20S-431	Adjusting Lock Ring	1
18	B30S-430	Adjusting Nut	1
19B	BD20S-469	Washer	1
20	C20S-450	Spring	1

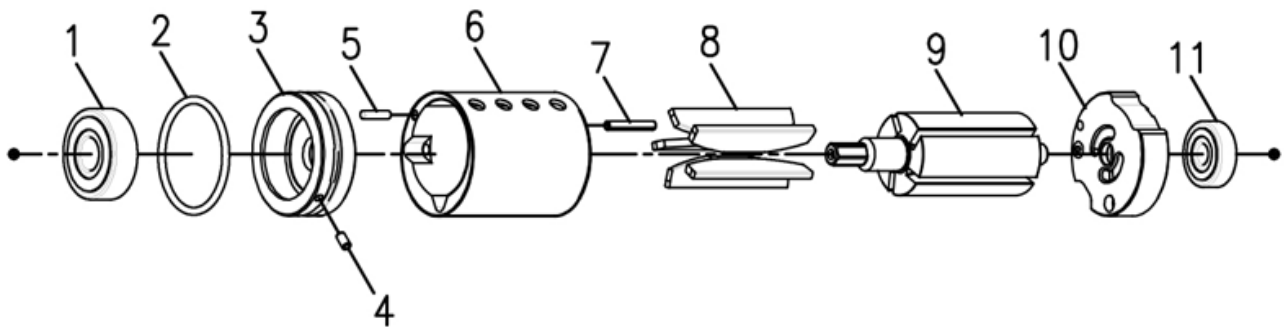
# RRI-SD21106 SHUT-OFF SCREWDRIVER



## Gear Box Units

Index No.	Part No.	Description	Q'ty
	<b>220-BD30SL-4040-3000</b>	<b>Gear Box Units</b>	<b>1</b>
1	00-3113	Snap Ring (R28)	1
2	00-3507	Snap Ring (S12)	1
14C	BD15S-441	Washer	1
3	00-2305A	Ball Bearing (6001)	1
4	BS30R-160-440	Internal Gear	1
5	C20S-441	Washer	1
6	BS30SL-442B	Front Gear Cage	1

Index No.	Part No.	Description	Q'ty
7	00-3408	Pin (Ø3x12L)	6
8	00-2422	Needle Bearing (K3x5x7-TV)	6
9	BS30SL-443B	Plant Gear	6
10	BS30SL-444B	Washer	1
11	BS30SL-452B	Rear Gear Cage Assy.	1
12	BS30SL-447B	Rotor Gear	1
13	C30S-448	Rear Cover	1

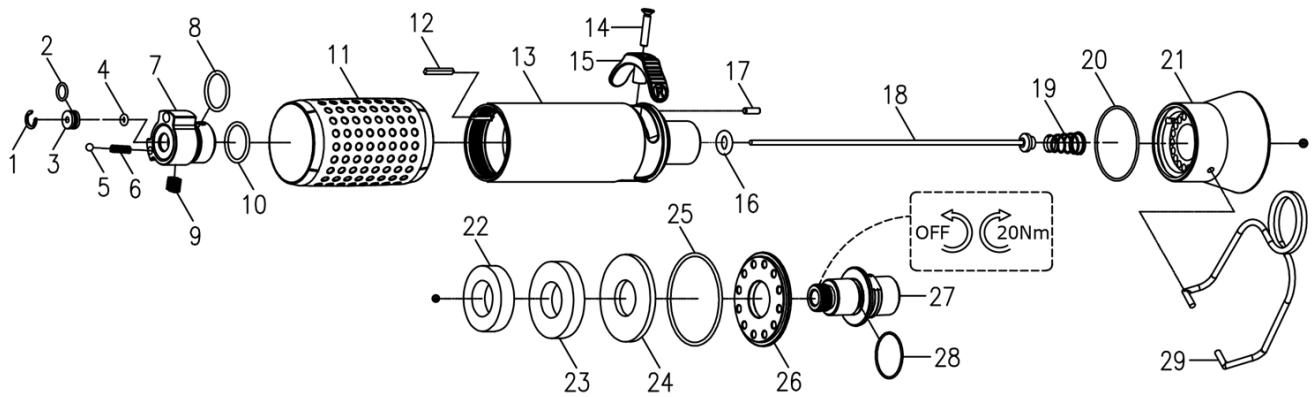


## Motor Units

Index No.	Part No.	Description	Q'ty
	<b>220-BD30SL-3003-1000</b>	<b>Motor Units</b>	<b>1</b>
1	00-2332	Ball Bearing (608ZZ)	1
2	00-41177	O-Ring (Ø25.12xØ1.78)	1
3	B20S-301	Front Plate	1
4	00-3328	Spring Pin (Ø2x4L)	1
5	00-3430	Pin (Ø2x8L)	1

Index No.	Part No.	Description	Q'ty
6	C30S-302	Cylinder	1
7	00-3447	Pin (Ø2x12L)	1
8	BD30S-304D	Rotor Blade	5
9	BS30SL-303B	Rotor	1
10	C30S-305	Rear End Plate	1
11	00-2355	Ball Bearing (625Z)	1

# RRI-SD21106 SHUT-OFF SCREWDRIVER



## Reverse Valve Units & Motor Housing

Index No.	Part No.	Description	Q'ty
	<b>220-CS30S-5002-1000</b>	<b>Reverse Valve Units (Index No.1-9)</b>	<b>1</b>
1	00-3115	Snap Ring (R8)	1
2	00-41189	O-Ring (Ø6xØ1)	1
3	C20S-526	Guide Ring	1
4	00-41113	O-Ring (Ø2xØ1.5)	1
5	00-3805	Steel Ball (1/8")	1
6	305F-034	Spring	1
7	C30S-502	Reverse Valve	1
8	00-41117	O-Ring (Ø15xØ1.5)	1
9	00-0606	Screw (M6x6L)	1
10	00-41217	O-Ring (Ø16xØ1)	1
11	B20S-103	Housing Rubber	1
12	BD40S-037	Seal Lump	1
13	B30S-101	Motor Housing	1
14	00-0509	Screw (M3x16L)	1
15	C30S-503	Reverse Knob	1

Index No.	Part No.	Description	Q'ty
16	00-41188	O-Ring (Ø5.7xØ2.5)	1
17	00-3448	Pin (Ø2.5x8L)	1
18	BD20S-314	Valve Stem	1
19	C30S-515	Spring	1
20	00-41223	O-Ring (Ø31xØ1)	1
21	B30S-603	Exhaust Deflector	1
22	B30S-601A	Muffler	1
23	B30S-601B	Muffler	1
24	B30S-601C	Muffler	1
25	00-41224	O-Ring (Ø38xØ1.5)	1
26	B30S-608	Deflector Cap	1
	B30S-604A	Air Inlet (1/4"-PF19)	
27	B30S-604B	Air Inlet (1/4"-PT19)	1
	B30S-604C	Air Inlet (1/4"-NPT18)	
28	00-41111	O-Ring (Ø16xØ1.5)	1
29	B20S-102	Hanger	1