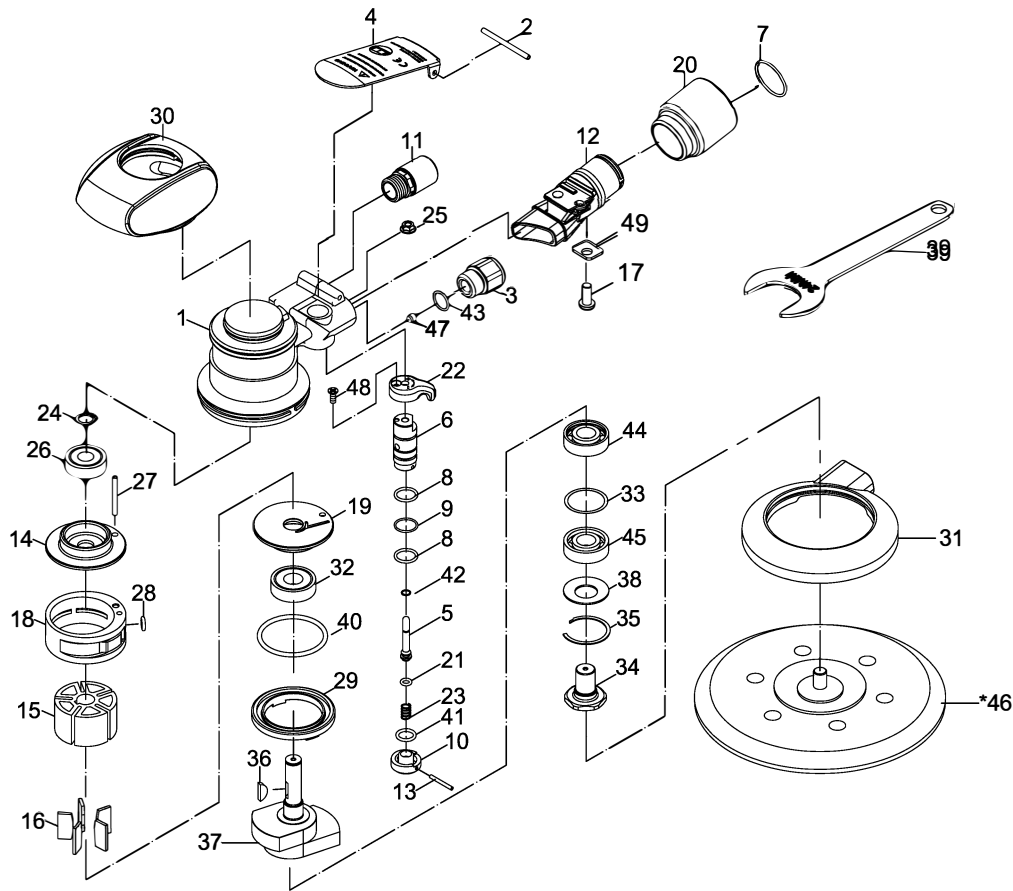


RRI-5125-2CV PALM SANDER

EDITION 2



Index No.	Parts No.	Description	Index No.	Parts No.	Description
1	66-5137C01	Housing	26	06000ZZ	Ball Bearing (6000zz)
2	SP03004000	Spring Pin (3×40L)	27	SP03002800	Spring Pin (3×28)
3	66-6133C03	Air Inlet	28	OR00608109	O-Ring (6.8×1.9)
4	66-6133C04-0051	Throttle Lever	29	66-6133C29	Lock Ring (6001ZZ)
5	66-6133C05	Shaft	30	66-5137C30	Grip Hat
6	66-5137C06	Bushing	31	66-6135C31	Shroud
7	OR02105105	O-Ring (21.5×1.5)	32	06001ZZ	Ball Bearing
8	OR01007105	O-Ring(2) (10.7×1.5)	33	66-6132A13	Washer
9	52236	O-Ring (10.5×1)	34	66-6132A34	Shaft
10	66-5137C11	Lock Seat	35	60-613135	Snap Ring
11	66-6133C26-11S	Silencer	36	61934	Key (3×13)
12	66-6133C12	Adapter	37	65-6233C37	Balancer Shaft
13	51542	Spring Pin (2×18L)	38	60-613139	Washer
14	66-6133C14	Rear End Plate	39	66-6132A54	Spanner
15	66-6132A15	Rotor	40	OR03904301	O-Ring (39.4×3.1)
16	66-5137C16	Rotor Blade(5)	41	40130	O-Ring (8.8×1.7)
17	66-6133A17	Screw (M5×12L)	42	OR00200100	O-Ring (2x1)
18	66-5137C18	Cylinder	43	82247	O-Ring (13.5x1.5)
19	66-6133C19	Front End Plate	44	06001	Ball Bearing (6001)
20	66-6133C20	Swivel Exhaust	45	06001P	Ball Bearing (6001P)
21	OR00307108	O-Ring (3.68×1.78)	*46	65-6133C42	Pad (5",5 Holes)
22	66-5137C10	Regulator		60334-14	Pad (5",6 Holes)
23	66-6133C08	Spring	47	66-6133C22	Stopper
24	66-6132A12	Retainer Ring	48	61035	Screw (M3x8L)
25	66-6133C32	Nut (M5×0.8)	49	66-6133A11	Washer

* optional part 65-5237C-RAM01