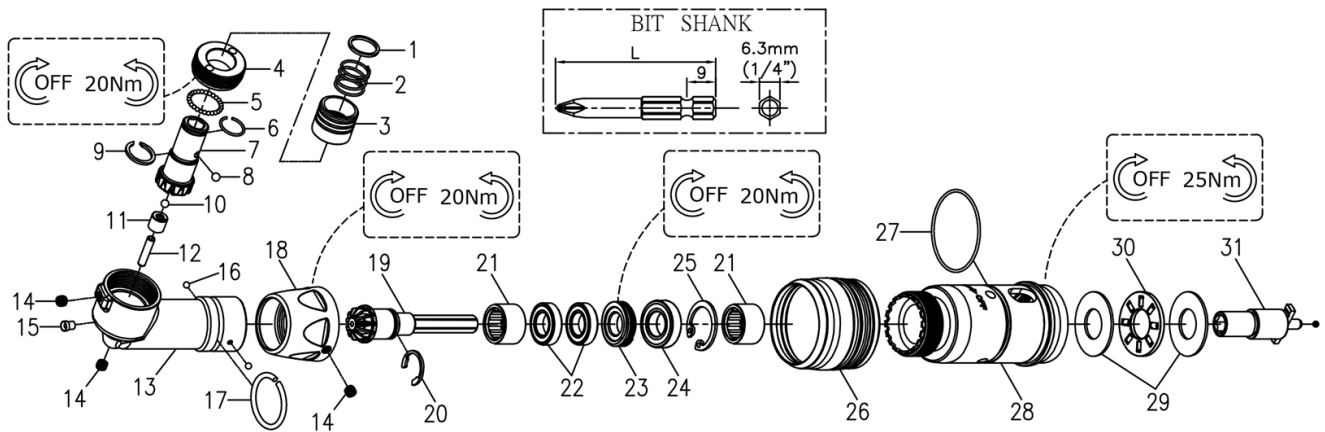


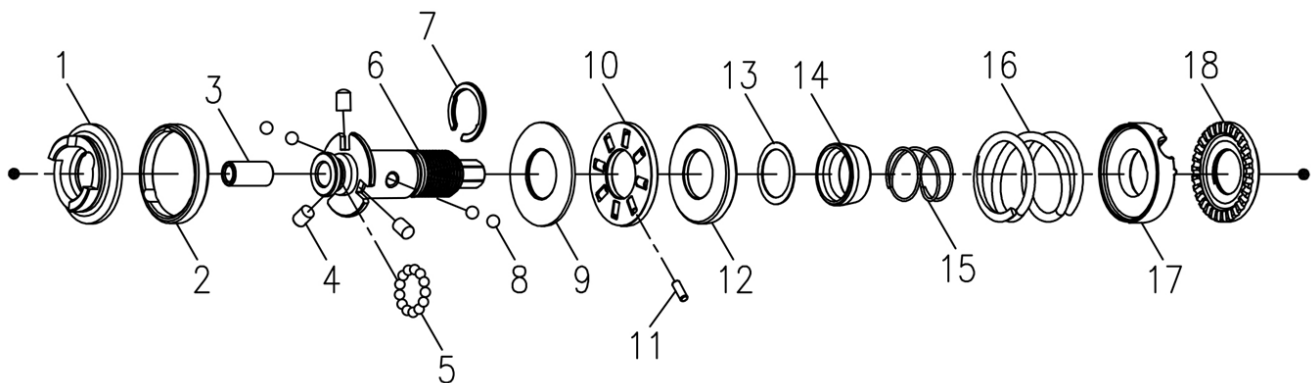
# RRI-SA11902 SHUT-OFF SCREWDRIVER



## Angle Housing Units & Clutch Housing

Index No.	Part No.	Description	Q'ty
	<b>220-BS20R-7001-1000</b>	<b>Angle H. Units (Index No.1~25)</b>	<b>1</b>
1	B20S-415	Spring Washer	1
2	B20S-418	Spring	1
3	B20S-417	Quick Change Holder	1
4	CS20R-706	Lock Nut	1
5	00-3827	Steel Ball (Ø1/16")	26
6	B20S-428B	Anvil Collar B	1
7	B20R-705	Spiral Bevel Gear	1
8	00-3835	Steel Ball (Ø2.5)	2
9	B20S-428A	Anvil Collar A	1
10	00-3826	Steel Ball (Ø3)	1
11	00-2416	Needle Bearing (HK0306)	1
12	00-3454	Pin (Ø3x14L)	1
13	CS20R-701	Angle Housing	1
14	00-0605	Screw (M4x4L)	2
15	00-4603	Grease Fitting (1/8")	1
16	00-3828	Steel Ball (Ø2)	2

Index No.	Part No.	Description	Q'ty
17	CS20R-708	Anvil Collar	1
18	CS20R-702	Lock Nut	1
19	B20R-704	Spiral Bevel Gear	1
20	00-3513	Snap Ring (C46)	1
21	00-2415	Needle Bearing (HK1210)	1
22	00-2377	Ball Bearing (Ø17xØ9x4t)	2
23	CS20R-709	Lock Nut	1
24	00-2380	Ball Bearing (6800ZØ19xØ10x5t)	1
25	00-3117	Snap Ring (R19)	1
14	00-0605	Screw (M4x4L)	1
21	00-2415	Needle Bearing (HK1210)	1
26	B20S-207	Adjusting Cover	1
27	00-41222	O-Ring (Ø25xØ2)	1
28	B10R-201	Clutch Housing	1
29	00-1516	Washer (Ø12xØ26x1t)	2
30	00-2805	Roller Bearing (NTB1226)	1
31	B20R-405	Anvil	1

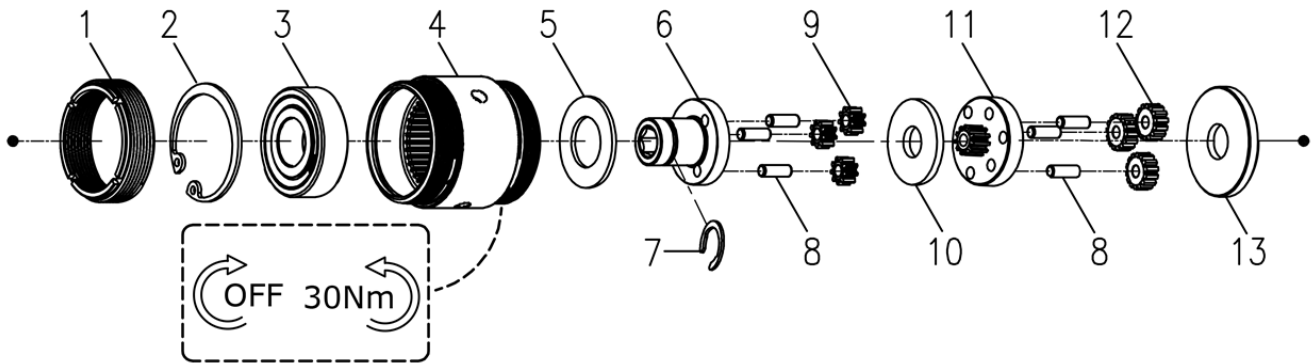


## Clutch Units

Index No.	Part No.	Description	Q'ty
	<b>220-BS10S-4016-2000</b>	<b>Clutch Units (Index No.1~18)</b>	<b>1</b>
1	B20S-425	Clutch Ring	1
2	B20S-424	Ejector Ring	1
3	00-6301	DU Bearing (Ø4xØ6x6L)	1
4	B20S-426	Ejector Pin	3
5	00-3835	Steel Ball (Ø2.5)	13
6	B10S-416	Transmission Shaft	1
7	B20S-428C	Anvil Collar C	1
8	00-3826	Steel Ball (Ø3)	4

Index No.	Part No.	Description	Q'ty
9	00-1516	Washer (AS-1226(Ø12xØ26 x1t))	1
10	B20S-410	Washer	1
11	00-3471	Pin (Ø2.5x4L)	8
12	B20S-433	Spring Seat	1
14	B20S-449	Control Ring	1
15	B30S-427	Spring	1
16	B10S-429	Spring	1
17	B20S-431	Adjusting Lock Ring	1
18	B20S-430-B	Adjusting Nut	1

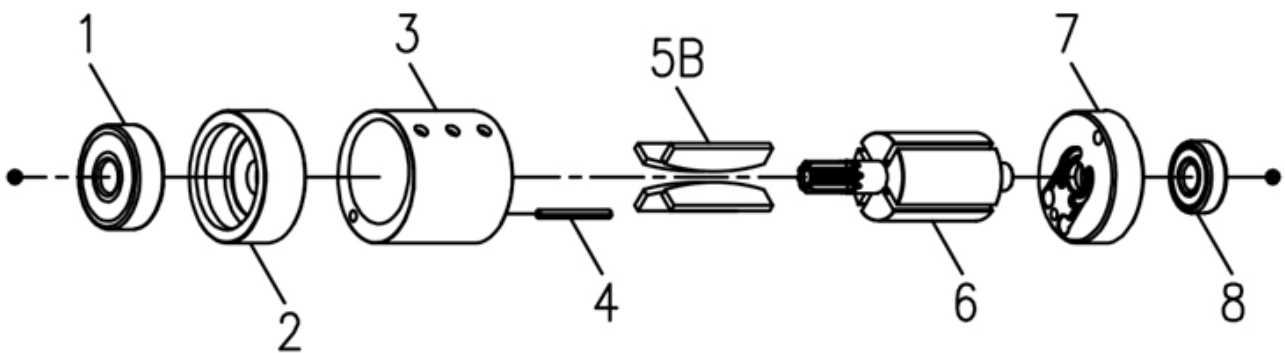
# RRI-SA11902 SHUT-OFF SCREWDRIVER



## Gear Box Units

Index No.	Part No.	Description	Q'ty
1	B10R-413	Thread Bushing	1
	<b>220-BS10P-4040-1000</b>	<b>Gear Box Units (Index No.2-13)</b>	<b>1</b>
2	00-3110	Snap Ring (R22)	1
3	00-2318A	Ball Bearing (EE3)	1
4	B10S-440	Internal Gear	1
5	C10S-441	Washer	1
6	C10S-442	Front Gear Cage	1

Index No.	Part No.	Description	Q'ty
7	00-3512	Snap Ring (C37)	1
8	00-3448	Pin (Ø2.5x8L)	6
9	C10S-443A	Planet Gear	3
10	C10S-444	Washer	1
11	C10S-452	Rear Gear Cage	1
12	C10S-443B	Planet Gear	3
13	C10S-448	Rear Cover	1

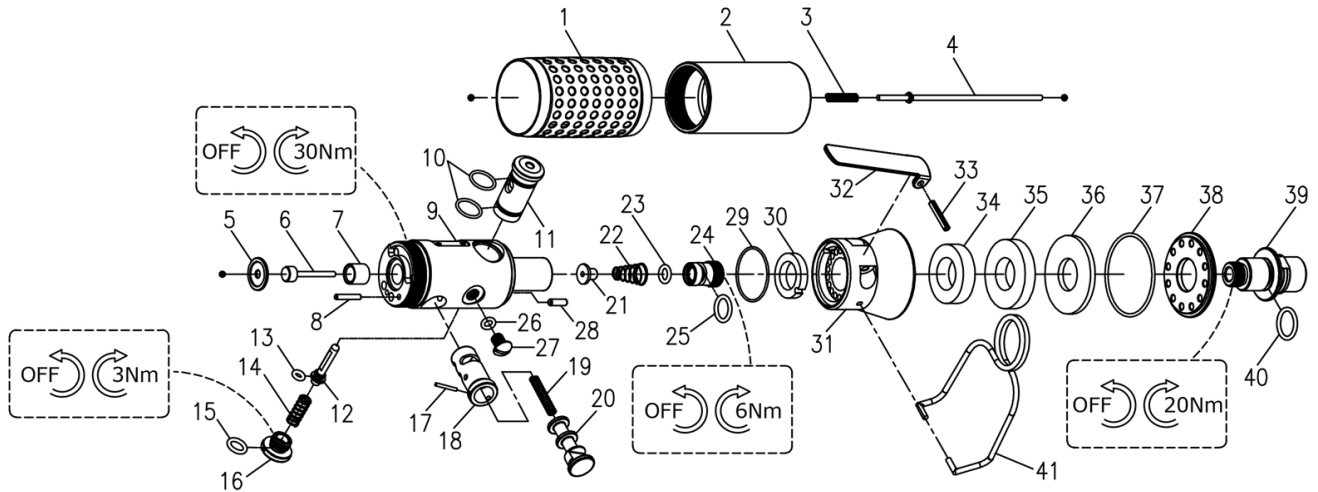


## Motor Units

Index No.	Part No.	Description	Q'ty
	<b>220-BS10S-3003-1000</b>	<b>Motor Units</b>	<b>1</b>
1	00-2323	Ball Bearing (626ZZ)	1
2	C10S-301	Front Plate	1
3	C10S-302	Cylinder	1
4	00-3362	Spring Pin (Ø1.5x16L)	1

Index No.	Part No.	Description	Q'ty
5B	BD10S-304D	Rotor Blade	4
6	CS10S-303	Rotor	1
7	C10S-305	Rear Plate	1
8	00-2370	Ball Bearing (695Z)	1

# RRI-SA11902 SHUT-OFF SCREWDRIVER



## Motor Housing & Valve Cage Units

Index No.	Part No.	Description	Q'ty
1	B10S-103	Housing Rubber	1
2	C10S-101	Motor Housing	1
3	CS20SL-317	Spring	1
4	B10SL-314	Valve Stem	1
<b>220-BS10SL-5018-3000 Valve Cage Units (Index No.5~27)</b>			<b>1</b>
5	C10SL-525	Washer	1
6	CS10SL-527	Piston	1
7	C20SL-526	Guide Ring	1
8	00-3447	Pin (Ø2x12L)	1
9	B10SL-518	Seat	1
10	00-41180	O-Ring (Ø9xØ1)	2
11	C10SL-530	Valve	1
12	C10SL-510	Pin	1
13	00-41178	O-Ring (Ø2.5xØ1.5)	1
14	C20S-450	Spring	1
15	00-41140	O-Ring (Ø5.5xØ1.5)	1
16	C10SL-529	Screw Cap	1
17	C10S-501	Valve Sleeve	1
18	00-3366	Spring Pin (Ø1.5x10L)	1
19	C20S-528	Spring	1
20	C10S-502	Reverse Valve	1
21	CS10SL-514	Shut Block	1

Index No.	Part No.	Description	Q'ty
22C	BD20SL-515	Spring	1
23	00-41256	O-Ring (Ø4.5xØ1.5)	1
24	C10SL-531	Air Inlet Valve	1
25	00-41255	O-Ring (Ø6.5xØ1.5)	1
26	00-41156	O-Ring (Ø3.5xØ1.5)	1
27	00-1304	Screw (M5x6L)	1
28	00-3448	Pin (Ø2.5x8L)	1
29	00-41225	O-Ring (Ø25x Ø1)	1
30	C10S-601	Muffler	1
31	B10SL-603	Exhaust Deflector	1
32	C08SL-504	Trigger	1
33	00-3308	Spring Pin (Ø3x18L)	1
34	B10S-601A	Muffler	1
35	B10S-601B	Muffler	1
36	B10S-601C	Muffler	1
37	00-4174	O-Ring (Ø31xØ1.5)	1
38	B10S-608	Deflector Cap	1
39	B10S-604A	Air Inlet (1/4"-PF19)	1
	B10S-604B	Air Inlet (1/4"-PT19)	
	B10S-604C	Air Inlet (1/4"-NPT18)	
40	00-4157	O-Ring (Ø10xØ1.5)	1
41	B20S-102	Hanger	1