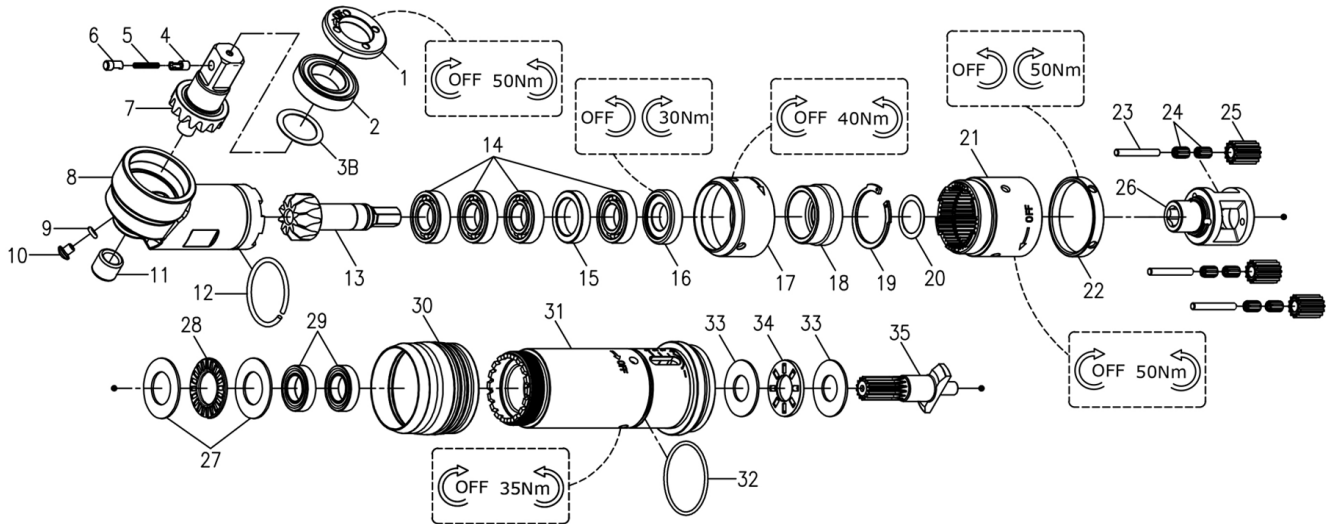


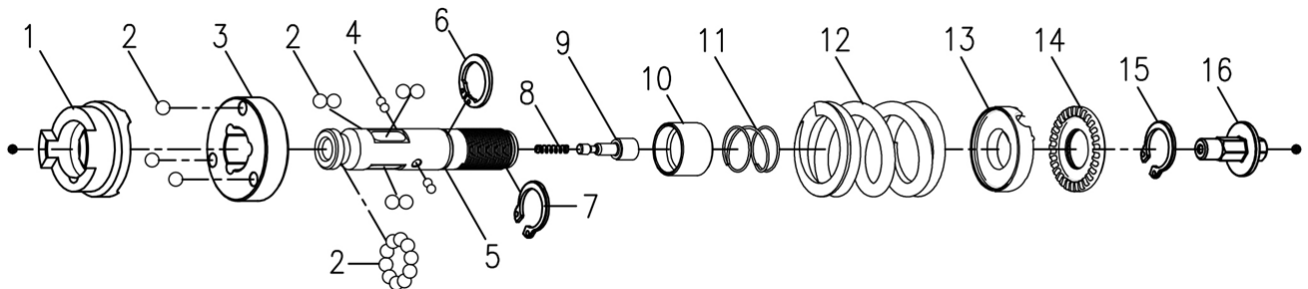
RRI-SA70960W SHUT-OFF SCREWDRIVER



Angle Housing Units & Clutch Housing

Index No.	Part No.	Description	Q'ty
	220-BD60RY-7001-2000	Angle Housing Units (Index No.1~17)	1
1	D54WRB-4#BZ	Lock Nut	1
2	000-2344	Ball Bearing (6903-2RS)	1
3B	BS60R-739	Washer	1
4	I100-463-B	Lower Pin	1
5	I100-464	Spring	1
6	I100-462-B	Upper Pin	1
7	33249-WRCA-23	Bevel Gear	1
8	D42WRB-1#BZ	Angle Housing	1
9	00-4153	O-Ring (Ø3xØ1.5)	1
10	000-1340	Screw (M4xP0.7x4.5L)	1
11	000-2413	Needle Bearing (BK0810)	1
12	D44WRB-1	Collar	1
13	BS60R-704A	Main Bevel Gear	1
14	000-2305	Ball Bearing (6901ZZ)	4
15	BS60R-487	Washer	1
16	D54WRB-6	Lock Nut	1
17	BS60R-408	Lock Nut	1

Index No.	Part No.	Description	Q'ty
18	BS60R-488	Bushing	1
19	00-6105	C type Retainer Ring (IR-28)	1
20	D39PW15-1	Washer	1
21	BS60R-440	Internal Gear	1
22	BS50R-737	Nut	1
23	000-3436	Pin (Ø3x23L)	3
24	00-2422	Needle Bearing (K3x5x7-TV)	6
25	BS60S-443B	Plant Gear B	3
26	BS60R-422	Idler Gear Plate	1
27	00-1515	Washer (Ø15.2xØ27.8x1t)	2
28	00-2801	Roller Bearing (NTB1528)	1
29	00-2352	Ball Bearing (6801ZZ)	2
30	B40S-207	Adjusting Cover	1
31	BS40R-201#L1	Clutch Housing	1
32	00-4174	O-Ring (Ø31xØ1.5)	1
33	00-1516	Washer (Ø12xØ26x1t)	2
34	00-2805	Roller Bearing (NTB1226)	1
35	BS60S-732	Shaft Gear	1

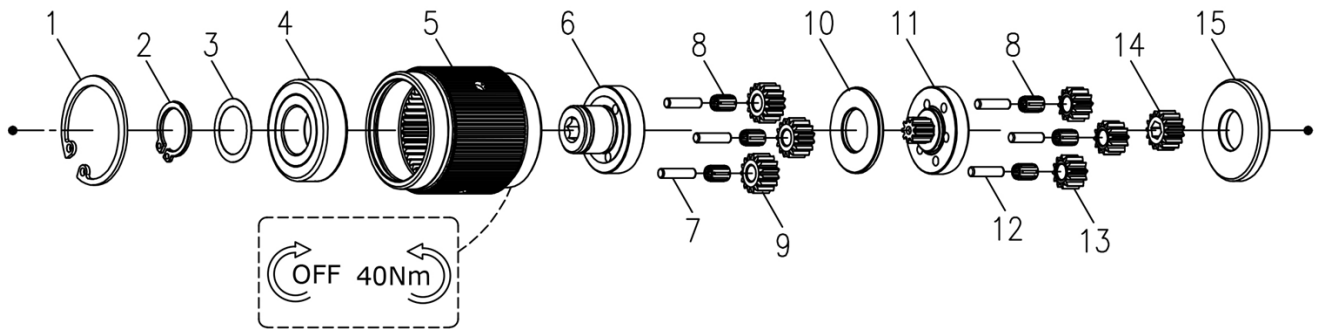


Clutch Units

Index No.	Part No.	Description	Q'ty
	220-BD50S-4016-1000	Clutch Units (Index No.1~16)	1
1	BD40S-425	Clutch Ring	1
2	00-3815	Steel Ball (5/32")	19
3	BD40S-433	Spring Seat	1
4	00-3835	Steel Ball (Ø2.5)	4
5	B30S-416	Transmission Shaft	1
6	000-3012I	Snap Ring (ISTW-12)	1
7	00-3516	Snap Ring (STW-11)	1
8	B30-524	Spring	1

Index No.	Part No.	Description	Q'ty
9	B30S-527	Piston	1
10	B30S-449	Control Ring	1
11	B30S-427	Spring	1
12	BS50S-429	Spring (Ø4.5)	1
13	BD50S-431	Adjusting Lock Ring	1
14	BD40S-430	Adjusting Nut	1
15	00-3507	Snap Ring (S12)	1
16	B30S-421	Connecting Shaft	1

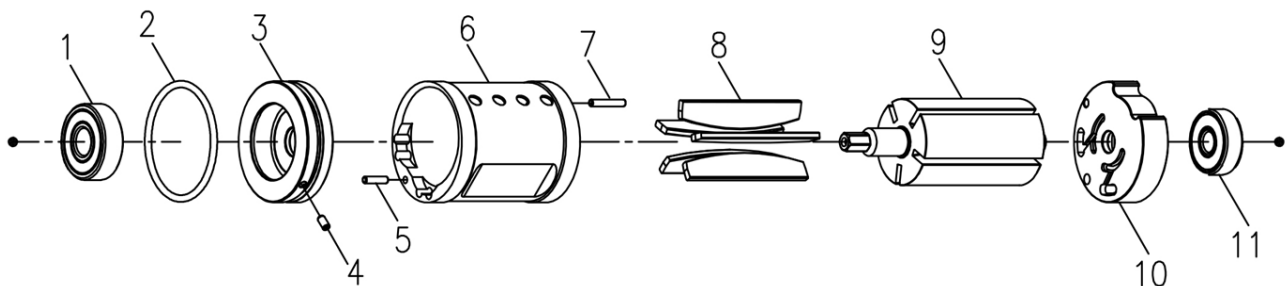
RRI-SA70960W SHUT-OFF SCREWDRIVER



Gear Box Units

Index No.	Part No.	Description	Q'ty
	220-BS60S-4040-1000	Gear Box Units	1
1	00-3104	Snap Ring (R32)	1
2	00-3504	Snap Ring (S15)	1
3	BD40S-441	Washer	1
4	00-2391	Ball Bearing (6002LU)	1
5	BS40S-440	Internal Gear	1
6	BS40S-442	Front Gear Cage	1
7	00-3444	Pin (Ø3x12.8L)	3

Index No.	Part No.	Description	Q'ty
8	00-2422	Needle Bearing (K3x5x7-TV)	6
9	BS40S-443A	Plant Gear	3
10	BS40S-444	Washer	1
11	BS40S-452	Rear Gear Cage Assy.	1
12	00-3408	Pin (Ø3x12L)	3
13	BS60S-443A	Plant Gear	3
14	BS60S-447	Rotor Gear	1
15	BS40S-448	Rear Cover	1

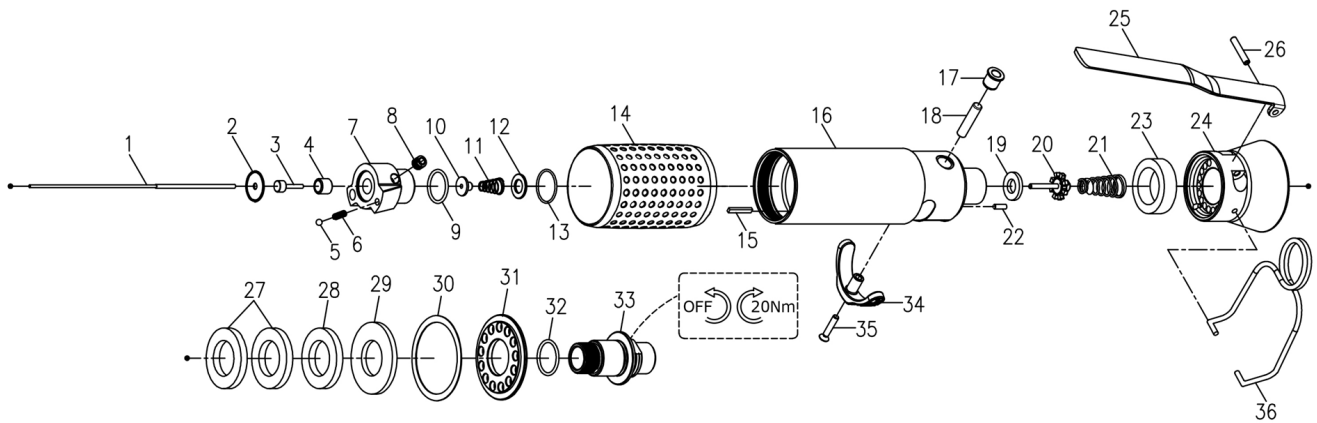


Motor Units

Index No.	Part No.	Description	Q'ty
	220-BD60S-3003-1000	Motor Units	1
1	00-2332	Ball Bearing (608ZZ)	1
2	00-41241	O-Ring (Ø32xØ1.5)	1
3	BS40S-301	Front Plate	1
4	00-3328	Spring Pin (Ø2x4L)	1
5	00-3430	Pin (Ø2x8L)	1

Index No.	Part No.	Description	Q'ty
6	BS40S-302	Cylinder	1
7	00-3447	Pin (Ø2x12L)	1
8	BD40S-304D	Rotor Blade	5
9	BS60S-303	Rotor	1
10	BS40S-305	Rear End Plate	1
11	00-2323	Ball Bearing (626ZZ)	1

RRI-SA70960W SHUT-OFF SCREWDRIVER



Reverse Valve Units & Motor Housing Units

Index No.	Part No.	Description	Q'ty
1	BS40SL-314	Valve Stem	1
	220-BS40SL-5002-1000	Rev. Valve Units (Index No.2-12)	1
2	C30SL-525	Washer	1
3	CS30SL-527	Piston	1
4	C20SL-526	Guide Ring	1
5	00-3805	Steel Ball (1/8")	1
6	305F-034	Spring	1
7	BS40SL-502	Reverse Valve	1
8	00-0606	Set Screw (M6x6L)	1
9	00-41117	O-Ring (Ø15xØ1.5)	1
10	CS30SL-514	Shut Block	1
11	CS20SL-515	Spring	1
12	C30SL-533	Washer	1
13	00-41217	O-Ring (Ø16xØ1)	1
14	B40S-103	Housing Rubber	1
15	BD40S-037	Seal Lump	1
	220-BS40SL-1001-2000	M. Housing Units (Index No.16-33)	1
16	BS40SL-101	Motor Housing	1
17	I40S-509	Bushing	1
18	BS40SL-510	Pin	1

Index No.	Part No.	Description	Q'ty
19	I40S-508	Bushing	1
20	305C-021	Valve Stem	1
21	C30S-515	Spring	1
22	00-3448	Pin (Ø2.5x8L)	1
23	CD40S-601C	Muffler	1
24	BS40SL-603	Exhaust Deflector	1
25	BS30R-160-504	Trigger	1
26	00-3308	Spring Pin (Ø3x18L)	1
27	CD40S-601D	Muffler	2
28	CD40S-601B	Muffler	1
29	BS40S-601C	Muffler	1
30	BS40S-607	Gasket	1
31	BS40S-608	Deflector Cap	1
32	00-41111	O-Ring (Ø16xØ1.5)	1
33	B30S-604A	Air Inlet (1/4"PF-19)	1
	B30S-604B	Air Inlet (1/4"PT-19)	
	B30S-604C	Air Inlet (1/4"NPT-18)	
34	B40S-503	Reverse Knob	1
35	00-0509	Screw (M3x16L)	1
36	B20S-102	Hanger	1