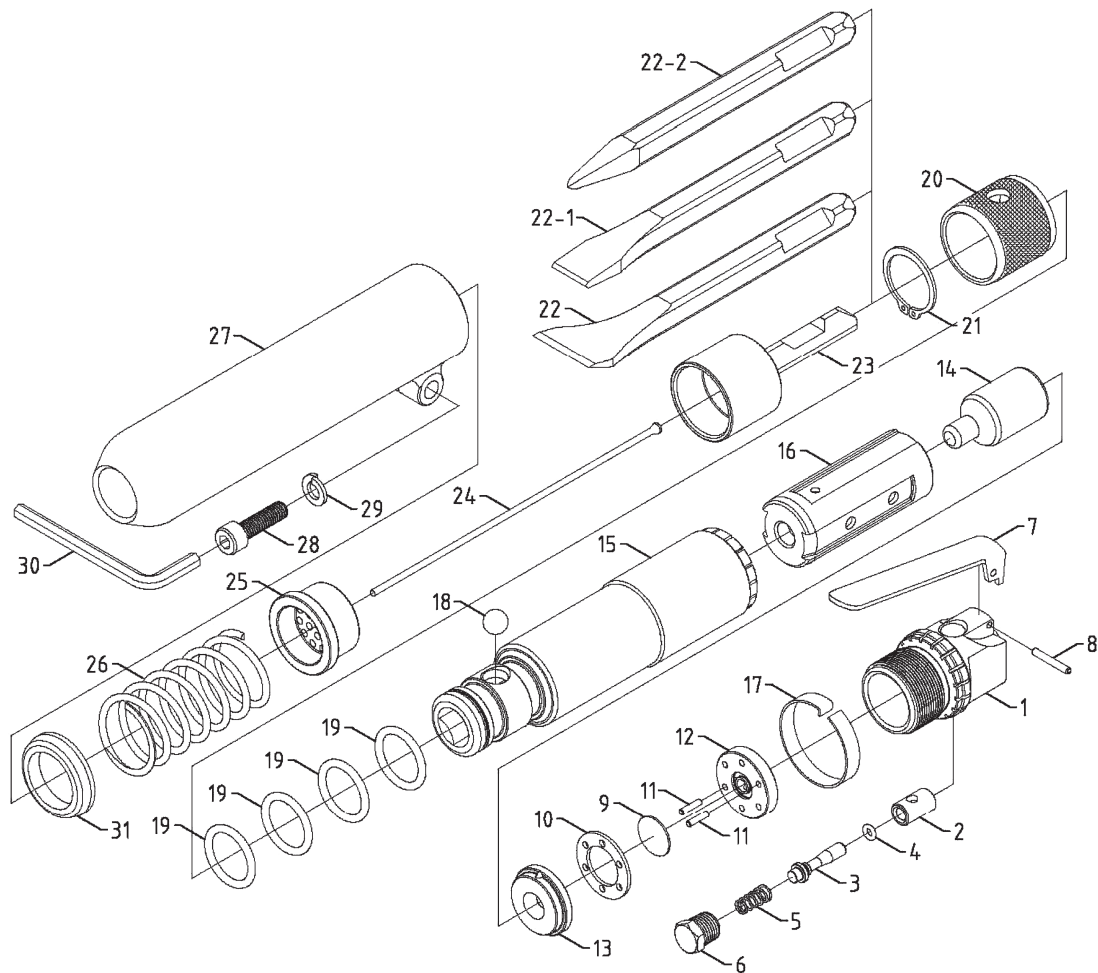


# RR-0315 HAMMER



NO.	PARTS NO.	DESCRIPTION	Q'TY	NO.	PARTS NO.	DESCRIPTION	Q'TY
1	P124-27001	BACKHEAD	1	18	P138-27018	STEEL BALL (7/16")	1
2	P128-27002	VALVE BUSHING	1	19	P110-28813	"O" RING P24(d3.7xW3.5)	4
3	P127-27003	VALVE STEM	1	20	P139-27020	CHISEL COVER	1
4	P110-02423	"O" RING P4(d3.8xW1.9)	1	21	P135-27021	SANP RING (S-29)	1
5	P108-11003	VALVE SPRING	1	22	ST-270-35	CHISEL(BENT,35MM)	1
6	P113-27006	VALVE CAP(H)	1	22-1	ST-270-20	CHISEL(FLAT,20MM)	1
7	P111-27007	LEVER	1	22-2	ST-270-01	CHISEL(POINT)	1
8	P129-27008	SPRING PIN (Ø3x22L)	1	23	P112-27023	DRIVER	1
9	P131-27009	VALVE	1	24	P103-318019	NEEDLE (Ø3x180L)	19
10	P130-27010	VALVE CASE	1	25	P104-27025	NEEDLE HOLDER(3MM)	1
11	P129-27011	DOWEL PIN (Ø2.8x12L)	2	26	P108-26848	COMPRESSION SPRING	1
12	P130-27012	LOWER VALVE CASE	1	27	P109-27027	FRONT TUBE	1
13	P130-27013	UPPER VALVE CASE	1	28	P115-11022	CAP HEAD SCREW(5/16"x1-1/8")	1
14	P120-27014	PISTON	1	29	P132-11023	SPRING WASHER(5/16")	1
15	P118-27015	BARREL	1	30	P158-11024	HEX WRENCH (6mm)	1
16	P151-27016	PISTON SLEEVE	1	31	P157-27031	GUIDE	1
17	P135-27017	SAFETY BAND	1				