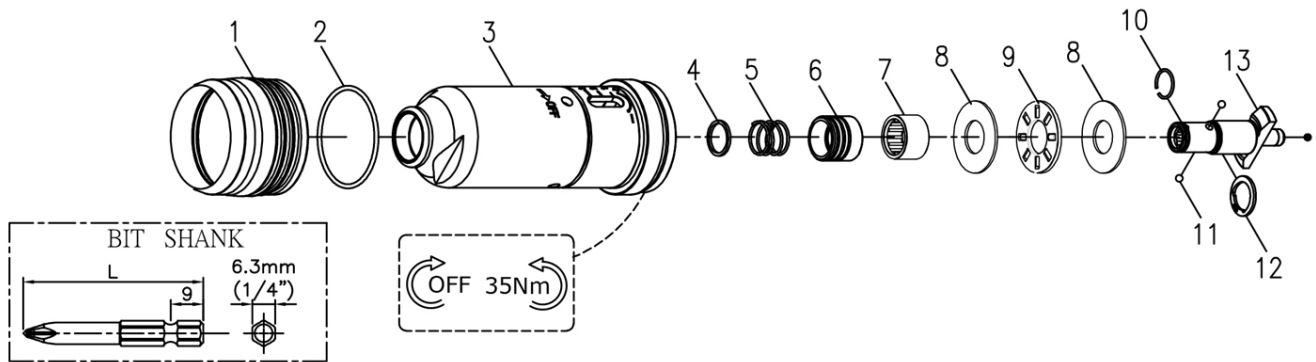


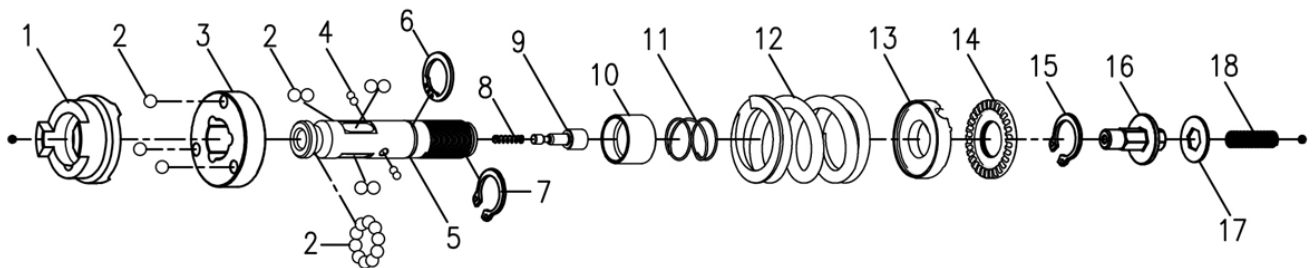
RRI-SD50416 SHUT-OFF SCREWDRIVER



Clutch Housing & Anvil Units

Index No.	Part No.	Description	Q'ty
1	B40S-207	Adjusting Cover	1
2	00-4174	O-Ring (Ø31xØ1.5)	1
3	BD40S-201#L1	Clutch Housing	1
	220-BD30P-4005-1000	Anvil Units (Index No.4~13)	1
4	B20S-415	Spring Washer	1
5	B20S-418	Spring	1
6	B20S-417	Quick Change Holder	1

Index No.	Part No.	Description	Q'ty
7	00-2415	Needle Bearing (HK1210)	1
8	00-1516	Washer (Ø12xØ26x1t)	2
9	00-2805	Roller Bearing (NTB1226)	1
10	B20S-428B	Anvil Collar B	1
11	00-3835	Steel Ball (Ø2.5)	2
12	00-4802	Snap Ring (IS11)	1
13	B30S-405	Anvil	1

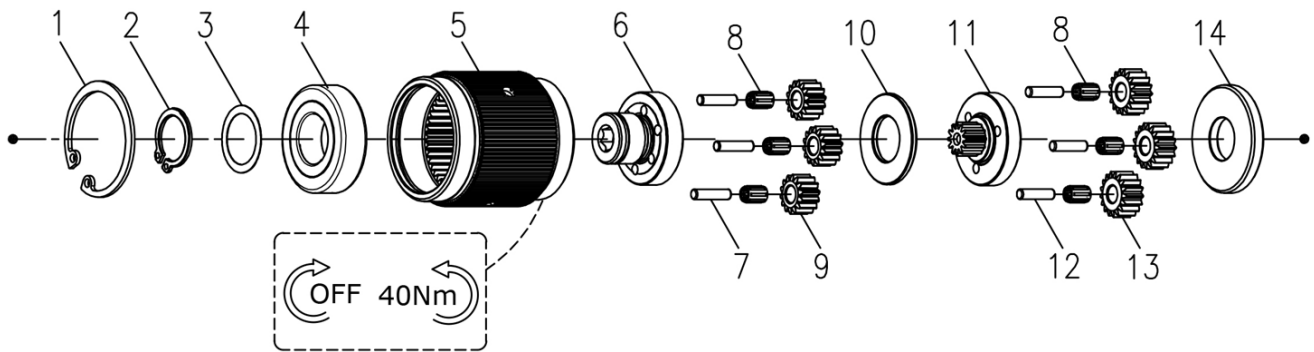


Clutch Units

Index No.	Part No.	Description	Q'ty
	220-BD50R-4016-1000	Clutch Units (Index No.1~15)	1
1	BD40S-425	Clutch Ring	1
2	00-3815	Steel Ball (5/32")	19
3	BD40S-433	Spring Seat	1
4	00-3835	Steel Ball (Ø2.5)	4
5	B30S-416	Transmission Shaft	1
6	000-3012I	Snap Ring (ISTW-12)	1
7	00-3516	Snap Ring (STW-11)	1
8	B30-524	Spring	1
9	B30S-527	Piston	1

Index No.	Part No.	Description	Q'ty
10	B30S-449	Control Ring	1
11	B30S-427	Spring	1
12	BD50S-429	Spring (Ø5)	1
13	BD50S-431	Adjusting Lock Ring	1
14	BD40S-430	Adjusting Nut	1
15	00-3507	Snap Ring (S12)	1
16	B30S-421	Connecting Shaft	1
17	BD20S-469	Washer	1
18	C20SL-507	Spring	1

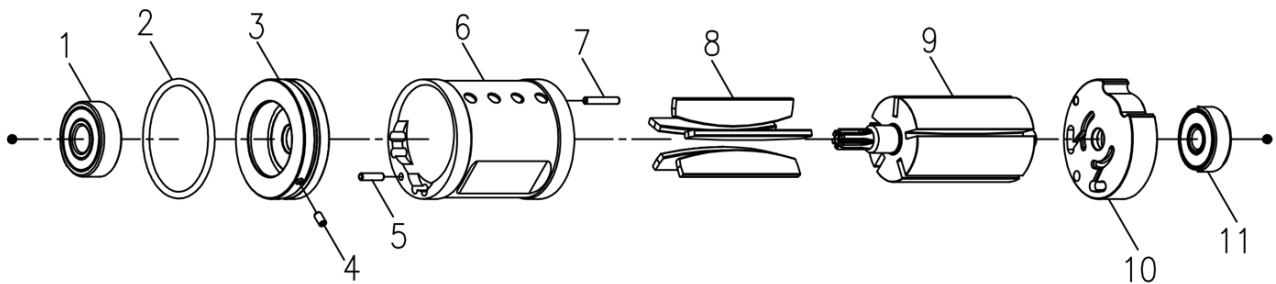
RRI-SD50416 SHUT-OFF SCREWDRIVER



Gear Box Units

Index No.	Part No.	Description	Q'ty
	220-BD40S-4040-1000	Gear Box Units	1
1	00-3104	Snap Ring (R32)	1
2	00-3504	Snap Ring (S15)	1
3	BD40S-441	Washer	1
4	00-2391	Ball Bearing (6002LU)	1
5	BS40S-440	Internal Gear	1
6	BD40RW-442	Front Gear Cage	1
7	00-3444	Pin (Ø3x12.8L)	3

Index No.	Part No.	Description	Q'ty
8	00-2422	Needle Bearing (K3x5x7-TV)	6
9	BD50RW-443	Plant Gear	3
10	BS40S-444	Washer	1
11	BD40S-452	Rear Gear Cage Assy.	1
12	00-3408	Pin (Ø3x12L)	3
13	BS40S-443A	Plant Gear A	3
14	BS40S-448	Rear Cover	1

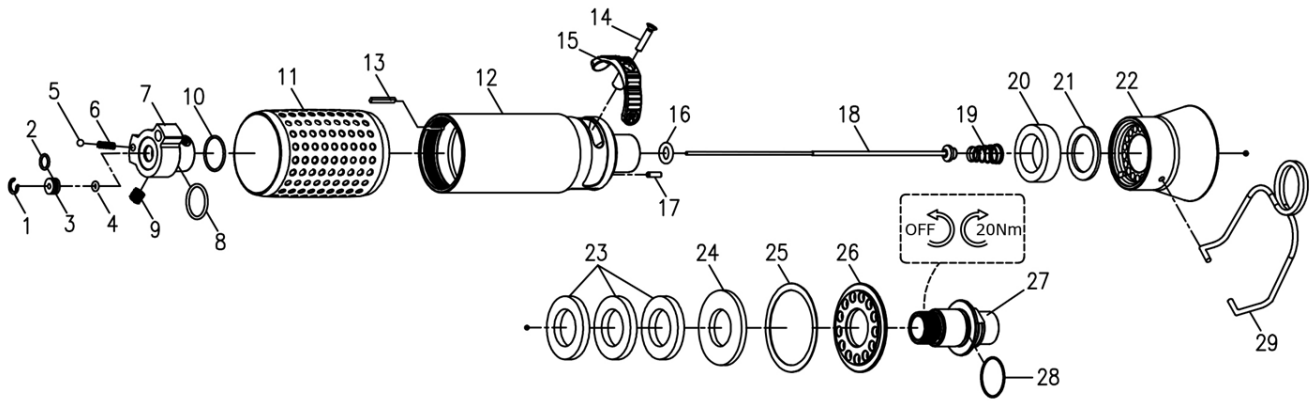


Motor Units

Index No.	Part No.	Description	Q'ty
	220-BD40S-3003-1000	Motor Units	1
1	00-2332	Ball Bearing (608ZZ)	1
2	00-41241	O-Ring (Ø32xØ1.5)	1
3	BS40S-301	Front Plate	1
4	00-3328	Spring Pin (Ø2x4L)	1
5	00-3430	Pin (Ø2x8L)	1

Index No.	Part No.	Description	Q'ty
6	BS40S-302	Cylinder	1
7	00-3447	Pin (Ø2x12L)	1
8	BD40S-304D	Rotor Blade	5
9	BD40S-303	Rotor	1
10	BS40S-305	Rear End Plate	1
11	00-2323	Ball Bearing (626ZZ)	1

RRI-SD50416 SHUT-OFF SCREWDRIVER



Reverse Valve Units & Motor Housing

Index No.	Part No.	Description	Q'ty
	220-BD40S-5002-1000	Reverse Valve Units (Index No.1-9)	1
1	00-3115	Snap Ring (R8)	1
2	00-41189	O-Ring (Ø6xØ1)	1
3	C20S-526	Guide Ring	1
4	00-41113	O-Ring (Ø2xØ5xØ1.5)	1
5	00-3805	Steel Ball (1/8")	1
6	305F-034	Spring	1
7	BD40S-502	Reverse Valve	1
8	00-41117	O-Ring (Ø15xØ1.5)	1
9	00-0606	Set Screw (M6x6L)	1
10	00-41217	O-Ring (Ø16xØ1)	1
11	B40S-103	Housing Rubber	1
12	BD40S-101	Motor Housing	1
13	BD40S-037	Seal Lump	1
14	00-0509	Screw (M3x16L)	1
15	B40S-503	Reverse Knob	1

Index No.	Part No.	Description	Q'ty
16	00-41188	O-Ring (Ø5.7xØ2.5)	1
17	00-3448	Pin (Ø2.5x8L)	1
18	BD40S-314	Valve Stem	1
19	C30S-515	Spring	1
20	CD40S-601C	Muffler	1
21	CD30S-601	Muffler	1
22	BD40S-603	Exhaust Deflector	1
23	CD40S-601D	Muffler	3
24	BS40S-601C	Muffler	1
25	BS40S-607	Gasket	1
26	BS40S-608	Deflector Cap	1
27	B30S-604A	Air Inlet (1/4"PF-19)	1
	B30S-604B	Air Inlet (1/4"PT-19)	
	B30S-604C	Air Inlet (1/4"NPT-18)	
28	00-41111	O-Ring (Ø16xØ1.5)	1
29	B20S-102	Hanger	1