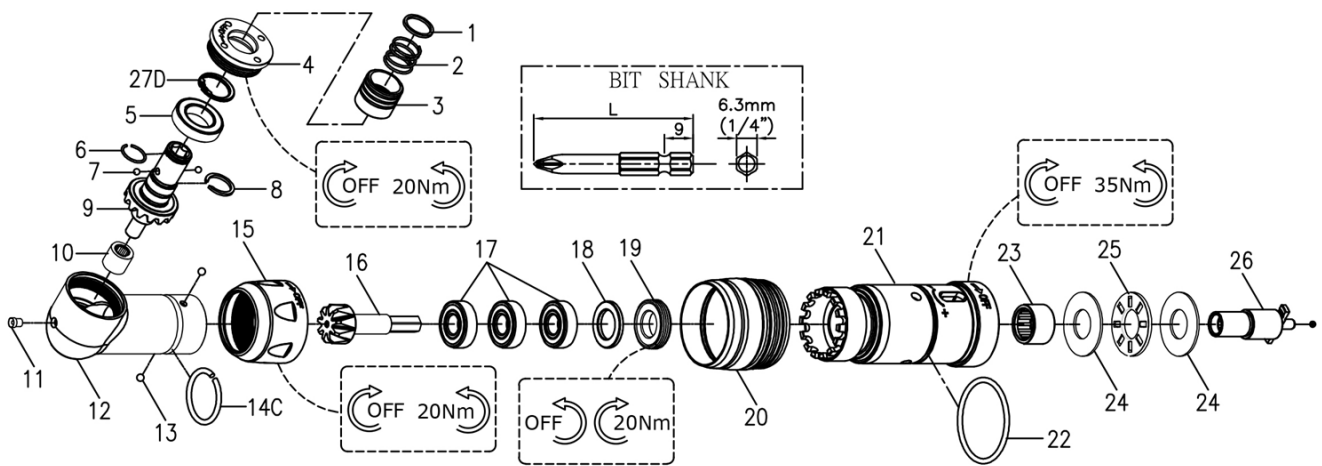


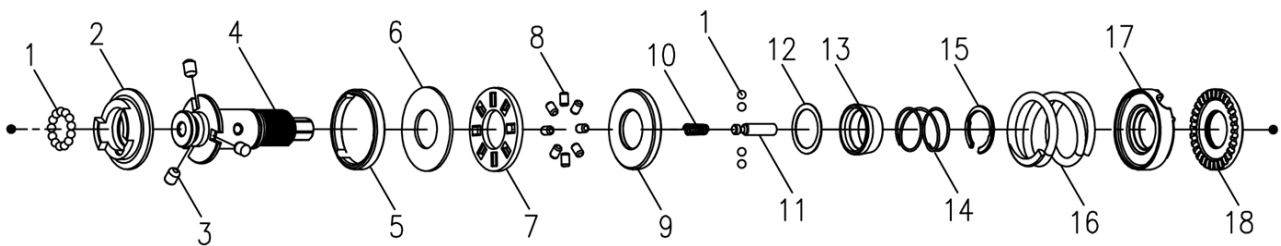
RRI-SA22203 SHUT-OFF SCREWDRIVER



Angle Housing Units & Clutch Housing

Index No.	Part No.	Description	Q'ty
	220-BD20RQ-7001-1000	Angle H. Units (Index No.1-19)	1
1	B20S-415	Spring Washer	1
2	B20S-418	Spring	1
3	B20S-417	Quick Change Holder	1
4	BS30R-160-706	Lock Nut	1
27D	000-3012I	Inv. Ret. Ring (ISTW-12)	1
5	00-2352	Ball Bearing (6801ZZ)	1
6	B20S-428B	Anvil Collar B	1
7	00-3835	Steel Ball (Ø2.5)	2
8	B20S-428A	Anvil Collar A (1/8")	1
9	B30RQ-730B	Bevel Gear Assy. (1/4" Hex)	1
10	00-2418	Needle Bearing (BK0609)	1
11	00-4603	Grease Fitting (1/8")	1
12	BS30R-160-701	Angle Housing	1

Index No.	Part No.	Description	Q'ty
13	00-3826	Steel Ball (Ø3)	2
14C	CS20R-708B	Collar	1
15	BD20R-702	Lock Nut	1
16	BS30RW-160-704B	Main Bevel Gear	1
17	00-2372	Ball Bearing (698Z)	3
18	BS20R-300-487B	Washer	1
19	CS30R-709	Lock Nut	1
20	B20S-207	Adjusting Cover	1
21	BS20R-300-201#L1	Clutch Housing	1
22	00-4151	O-Ring (Ø25.63xØ1.6)	1
23	00-2415	Needle Bearing (HK1210)	1
24	00-1516	Washer (Ø12xØ26x1t)	2
25	00-2805	Roller Bearing (NTB1226)	1
26	B20R-405	Anvil	1

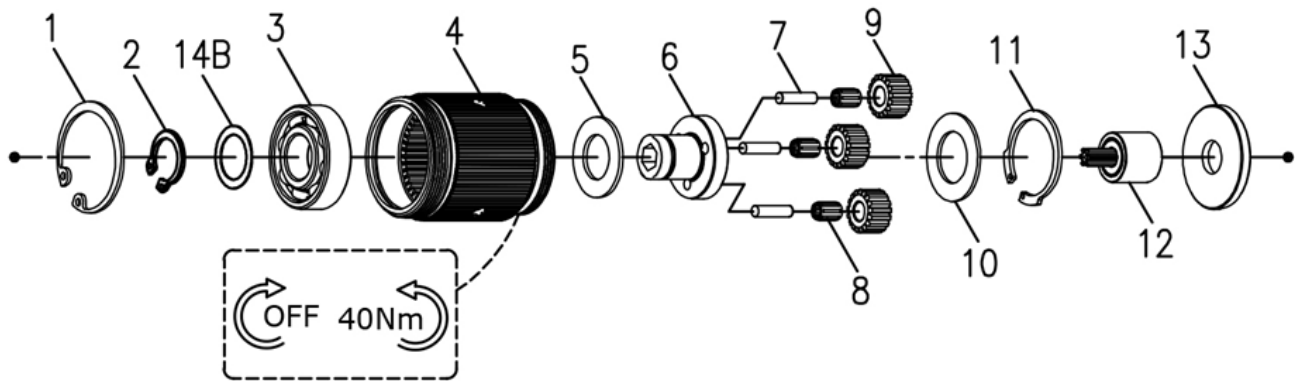


Clutch Units

Index No.	Part No.	Description	Q'ty
	220-BD15S-4016-2000	Clutch Units	1
1	00-3835	Steel Ball (Ø2.5)	17
2	B20S-425	Clutch Ring	1
3	B20S-426	Ejector Pin	3
4	BD15S-416	Transmission Shaft	1
5	B20S-424	Ejector Ring	1
6	00-1516	Washer (Ø12xØ26x1t)	1
7	B20S-410	Washer	1
8	00-3471	Pin (Ø2.5x4L)	8
9	B20S-433	Spring Seat	1

Index No.	Part No.	Description	Q'ty
10	BD15S-524	Spring	1
11	BD15S-527	Piston	1
12	BD15S-490	Washer	1
13	B20S-449	Control Ring	1
14	B30S-427	Spring	1
15	B20S-428C	Anvil Collar	1
16	B10S-429	Spring (Ø2.6)	1
17	B20S-431	Adjusting Lock Ring	1
18	B30S-430	Adjusting Nut	1

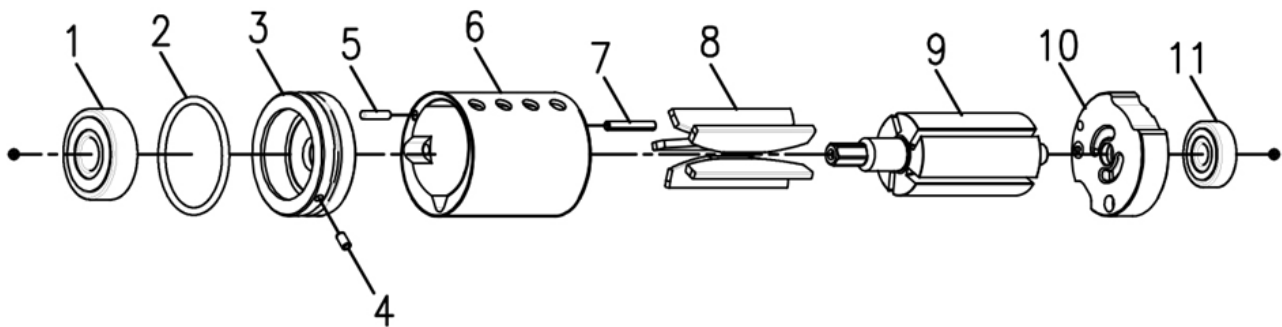
RRI-SA22203 SHUT-OFF SCREWDRIVER



Gear Box Units

Index No.	Part No.	Description	Q'ty
	220-BD20SL-4040-3000	Gear Box Units	1
1	00-3113	Snap Ring (R28)	1
2	00-3507	Snap Ring (S12)	1
14B	BD15S-441	Washer	1
3	00-2305A	Ball Bearing (6001)	1
4	BS30R-160-440	Internal Gear	1
5	C20S-441	Washer	1
6	BS30R-160-442	Front Gear Cage	1

Index No.	Part No.	Description	Q'ty
7	00-3408	Pin (Ø3x12L)	3
8	00-2422	Needle Bearing (K3x5x7-TV)	3
9	BS20SL-443	Plant Gear	3
10	BS20SL-444	Washer	1
11	00-6103	C type Retainer Ring (IR-24)	1
12	BS20SL-452B	Rear Gear Cage Assy.	1
13	C30S-448	Rear Cover	1

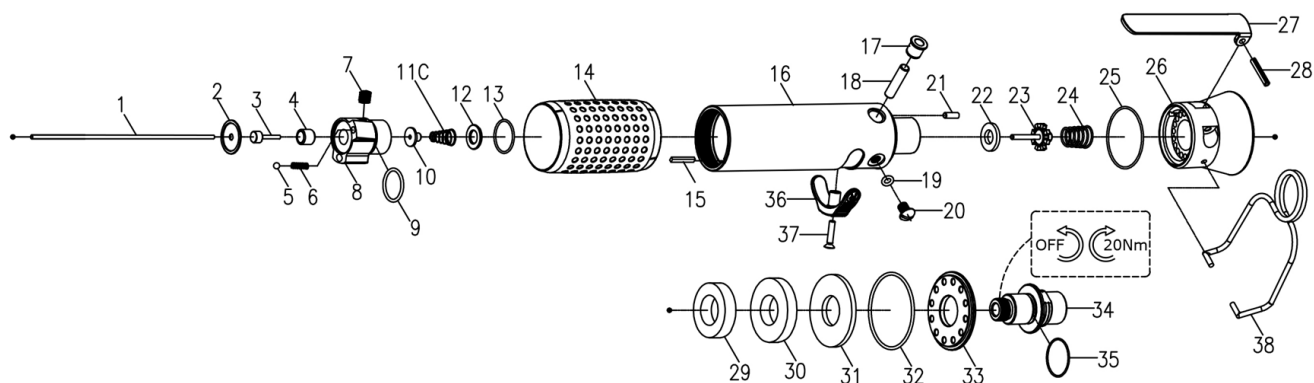


Motor Units

Index No.	Part No.	Description	Q'ty
	220-BD30SL-3003-1000	Motor Units	1
1	00-2332	Ball Bearing (608ZZ)	1
2	00-41177	O-Ring (Ø25.12xØ1.78)	1
3	B20S-301	Front Plate	1
4	00-3328	Spring Pin (Ø2x4L)	1
5	00-3430	Pin (Ø2x8L)	1

Index No.	Part No.	Description	Q'ty
6	C30S-302	Cylinder	1
7	00-3447	Pin (Ø2x12L)	1
8	BD30S-304D	Rotor Blade	5
9	BS30SL-303B	Rotor	1
10	C30S-305	Rear End Plate	1
11	00-2355	Ball Bearing (625Z)	1

RRI-SA22203 SHUT-OFF SCREWDRIVER



Reverse Valve Units & Motor Housing Units

Index No.	Part No.	Description	Q'ty
1	BD20SL-314	Valve Stem	1
	220-CS30SL-5002-2000	Rev. Valve Units (Index No.2-12)	1
2	C30SL-525	Washer	1
3	CS30SL-527	Piston	1
4	C20SL-526	Guide Ring	1
5	00-3805	Steel Ball (1/8")	1
6	305F-034	Spring	1
7	00-0606	Screw (M6x6L)	1
8	C30SL-502	Reverse Valve	1
9	00-41117	O-Ring (Ø15xØ1.5)	1
10	CS30SL-514	Shut Block	1
11C	BD20SL-515	Spring	1
12	C30SL-533	Washer	1
13	00-41217	O-Ring (Ø16xØ1)	1
14	B20S-103	Housing Rubber	1
15	BD40S-037	Seal Lump	1
	220-BD30SL-1001-1000	Motor H. Units (Index No.16-35)	1
16	B30SL-101	Motor Housing	1
17	I40S-509	Bushing	1
18	IS40S-510	Pin	1
19	00-41156	O-Ring (Ø3.5xØ1.5)	1

Index No.	Part No.	Description	Q'ty
20	00-1304	Screw (M5x6L)	1
21	00-3448	Pin (Ø2.5x8L)	1
22	I40S-508	Bushing	1
23	305C-021	Valve Stem	1
24	C30S-515	Spring	1
25	00-41223	O-Ring (Ø31xØ1)	1
26	B30SL-603	Exhaust Deflector	1
27	BD30SL-504	Trigger	1
28	00-3308	Spring Pin (Ø3x18L)	1
29	B30S-601A	Muffler	1
30	B30S-601B	Muffler	1
31	B30S-601C	Muffler	1
32	00-41224	O-Ring (Ø38xØ1.5)	1
33	B30S-608	Deflector Cap	1
	B30S-604A	Air Inlet (1/4"PF-19)	
34	B30S-604B	Air Inlet (1/4"PT-19)	1
	B30S-604C	Air Inlet (1/4"NPT-18)	
35	00-41111	O-Ring (Ø16xØ1.5)	1
36	C30S-503	Reverse Knob	1
37	00-0509	Screw (M3x16L)	1
38	B20S-102	Hanger	1