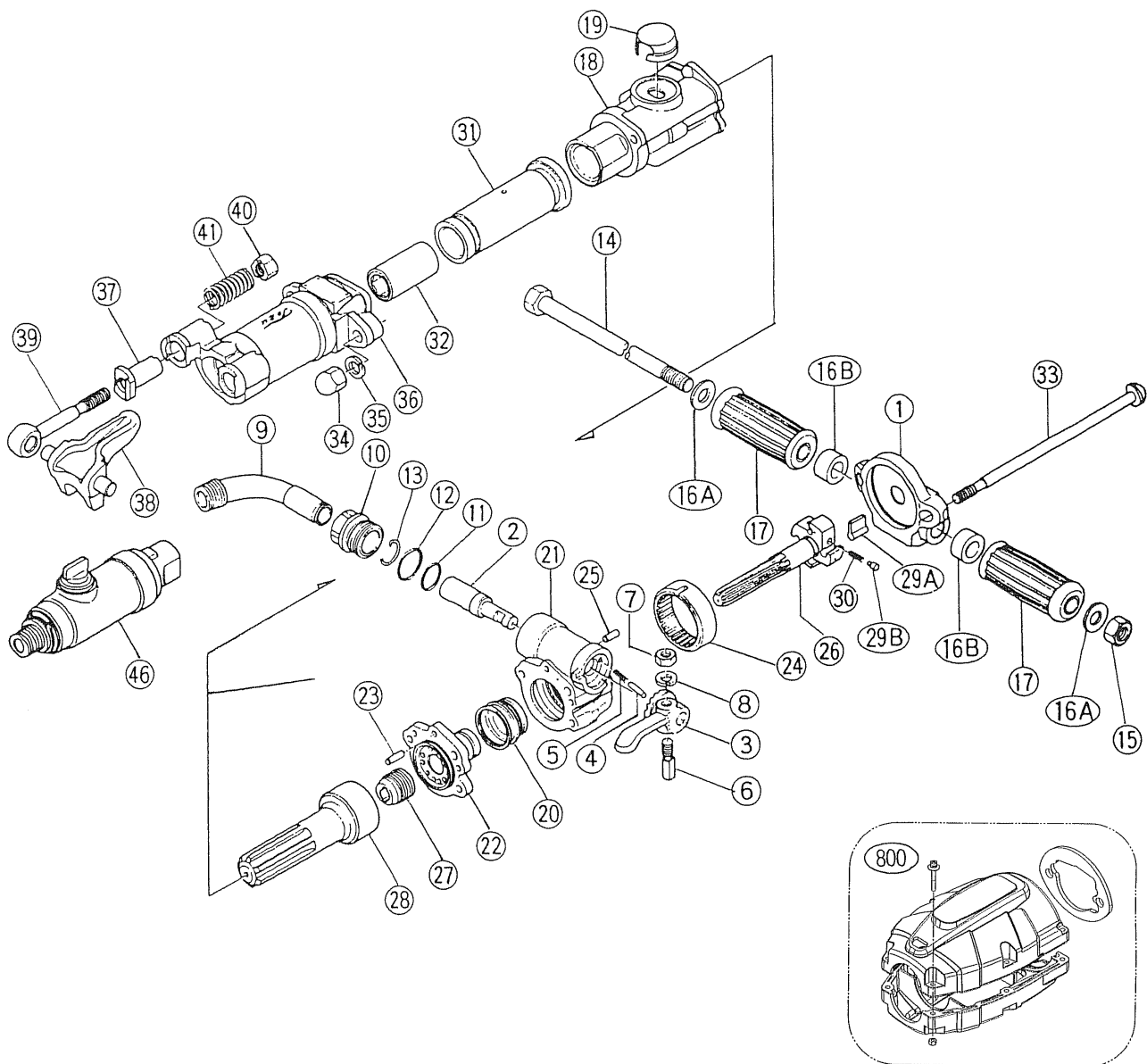
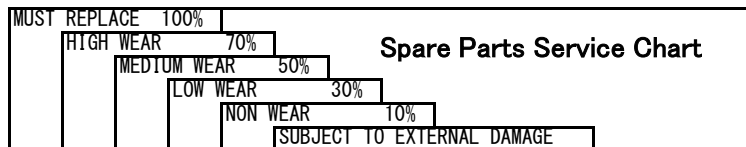


TJ-15

Parts List

Exploded View





Symbol No.	Parts No.	Q'ty Req.	Description						
1	430101A00	1	Back Head					X	
2	430101A40	1	Throttle Valve					X	
3	430101A50	1	Throttle Valve Handle					X	
4	130403002	1	Throttle Valve Plunger					A	
5	130803001	1	Throttle Valve Spring					A	
6	430101A70	1	Throttle Valve Bolt					A	
7	134401010	1	Hex Nut (M10)					A	
8	131301010	1	Spring Washer (M10)					A	
9	430101B00	1	Air Connection Tube (PT)						X
10	430101B31	1	Air Connection Nut					X	
11	131101023	1	O-Ring P-24		X				
12	131101030	1	O-Ring P-30		X				
13	130803004	1	Air Connection Clamp		X				
14	131503002	1	Handle Bolt					X	
15	134501016	1	U-Nut M16					A	
16A	131307016	2	Plane Washer M16					A	
16B	430101C40	2	Grip Handle Washer (H.Collar)					A	
17	430101B7A	2	Handle Grip CP (Incl.17A , 17B)					A	
17A	136603001	(1)	Handle Grip					A	
17B	430101C50	(1)	Handle Grip Pipe						X
18	430101C80	1	Cylinder						X
19	430101P60	1	Exhaust Cap		A				
20	430101F80	1	Valve					X	
21	430101F9B	1	Valve Chest CP						X
22	430101G20	1	Valve Guide						X
23	130403001	1	Valve Knock						X
24	430101G60	1	Ratchet		X				
25	130409001	1	Ratchet Key					A	
26	430101H01	1	Rifle Bar					X	
27	430101H10	1	Rifle Nut		X				
28	430101E50	1	Piston		X				
29A	430101H20	4	Rotation Pawl		X				
29B	136303002	4	Pawl Plunger					X	
30	130803006	4	Pawl Plunger Spring		X				
31	430101H5A	1	Rotation Sleeve (S) CP (3/4X3-1/4)			X			
	430102H5A	(1)	Rotation Sleeve (S) CP (7/8X3-1/4)			X			
	430106H6A	(1)	Rotation Sleeve (L) CP (3/4X4-1/4)			X			
	430107H6A	(1)	Rotation Sleeve (L) CP (7/8X4-1/4)			X			
31A	430101H50	(1)	Rotation Sleeve(S) (3-1/4)			X			
	430106H60	(1)	Rotation Sleeve(L) (4-1/4)			X			
32	430101H70	(1)	Sleeve Bushing (S) (3/4X3-1/4)		X				
	430102H70	(1)	Sleeve Bushing (S) (7/8X3-1/4)		X				
	430106H80	(1)	Sleeve Bushing (L) (3/4X4-1/4)		X				
	430107H80	(1)	Sleeve Bushing (L) (7/8X4-1/4)		X				
33	131503001	2	Through Bolt					X	
34	430101W10	2	Through Bolt Nut					A	
35	131303032	2	Through Bolt Washer W1/2					A	
36	430101W60	1	Front Head (S) (3-1/4)						X
	430106W70	(1)	Front Head (L) (4-1/4)						X
37	430101W80	2	Front Head Bushing		X				
38	430101K90	1	Steel Holder (3/4)			X			
	430102K90	1	Steel Holder (7/8)			X			
39	430101L00	2	Steel Holder Bolt					A	
40	134203001	2	Steel Holder Nut					A	
41	130803003	2	Steel Holder Spring					A	
46	430101V0J	1	Line Oiler CP (LO-150)						X
800	430101Y1C	(1)	Muffler CP (OPTION)					X	

This service chart is a guide to expectant life of component parts. The replacement levels are based on average tool usage over a one year period.

Example : For 10 tools in use : 10 must —replace items will be required per year, 7 high wear items, etc.

Note: Quantities must be increased if the tool is in more service or continuous usage.

LEGEND
 X—Type of wear, if no other comments apply.
 A—Easily lost or damaged during disassembly and reassembly.